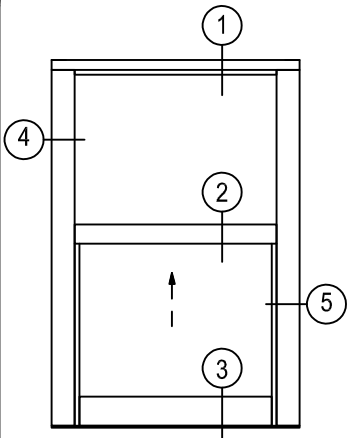
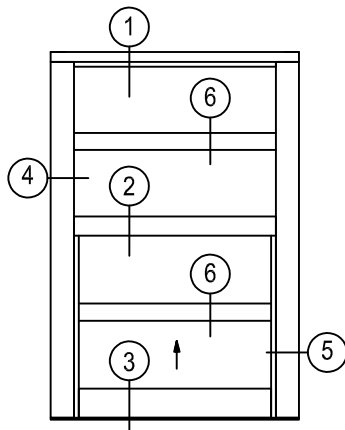


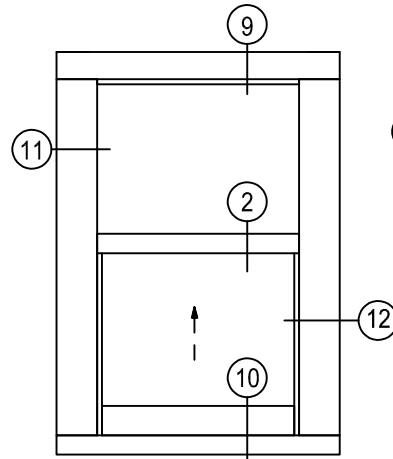
ELEVATIONS



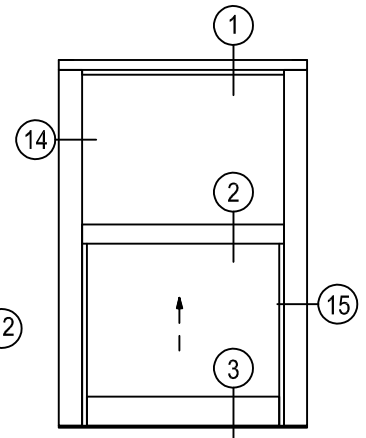
TR-9100



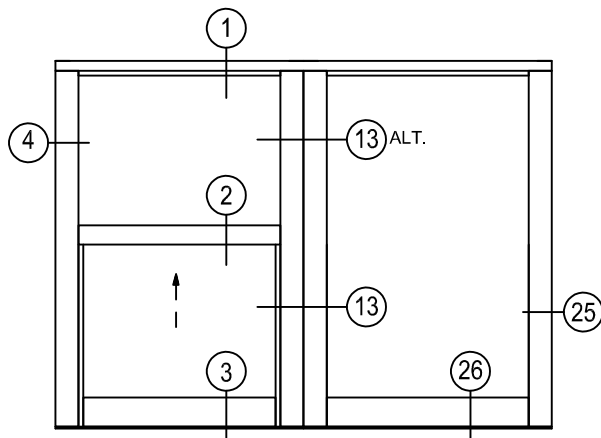
TR-9100



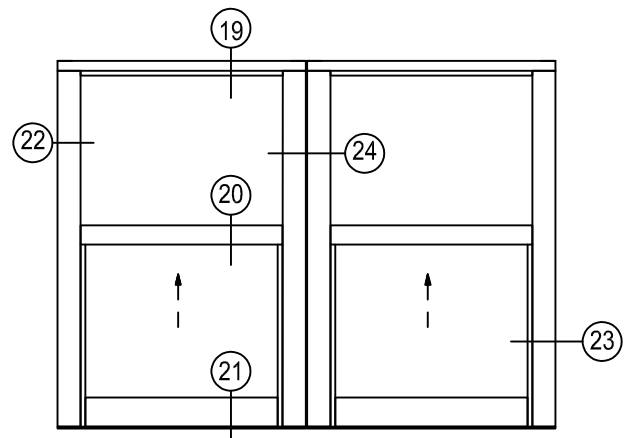
TR-9100F
(FLANGE FRAME)



TR-9100U
(JAMBS FOR AAMA 902
CLASS 5 BALANCES)

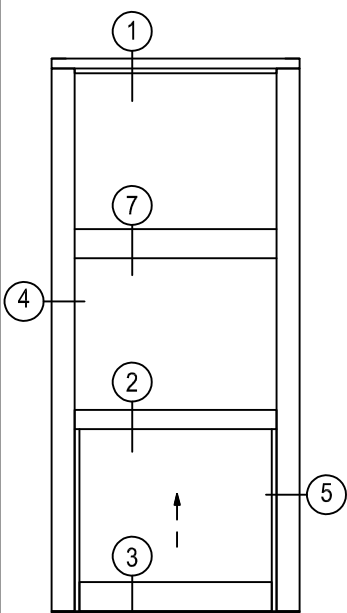


TR-9197
(SINGLE HUNG/FIXED)

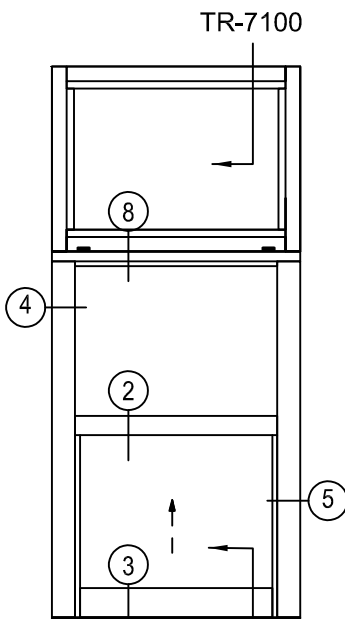


TR-9100

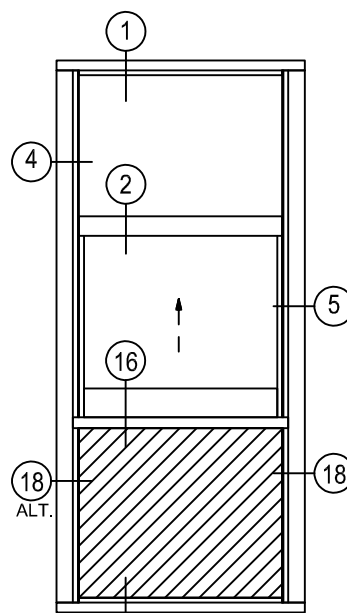
TR-9100



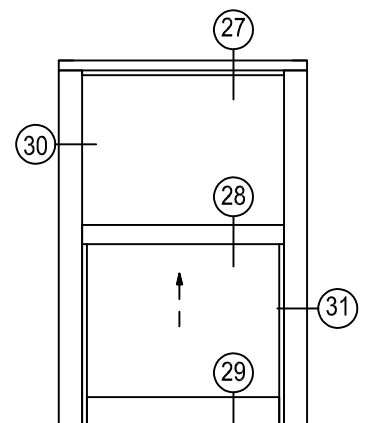
TR-9103
(3-LITE)



TR-9100

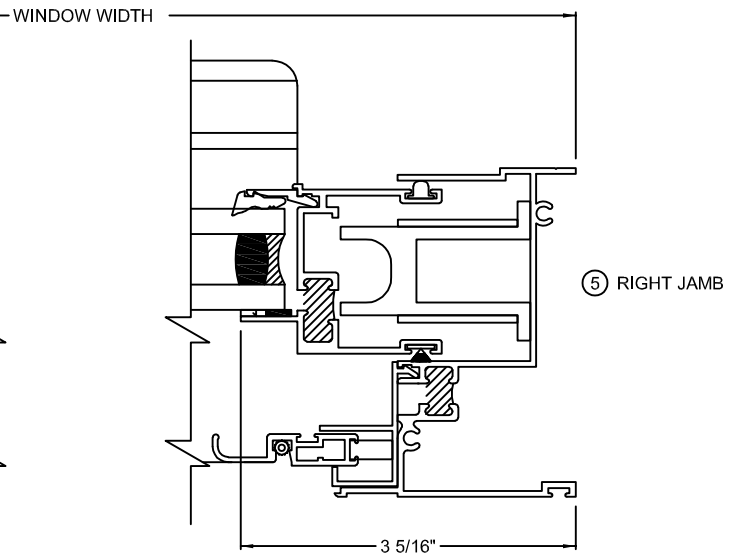
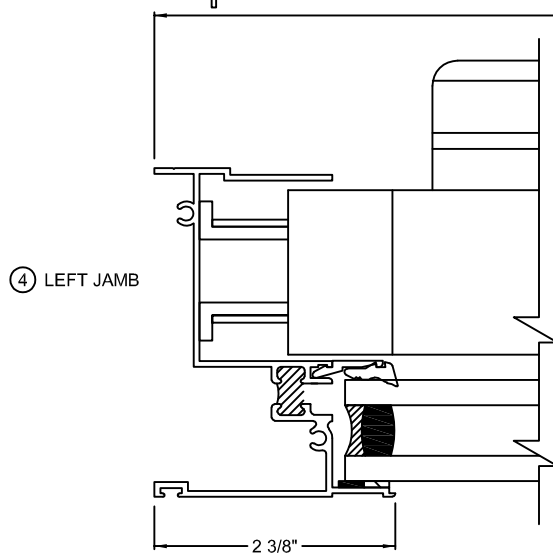
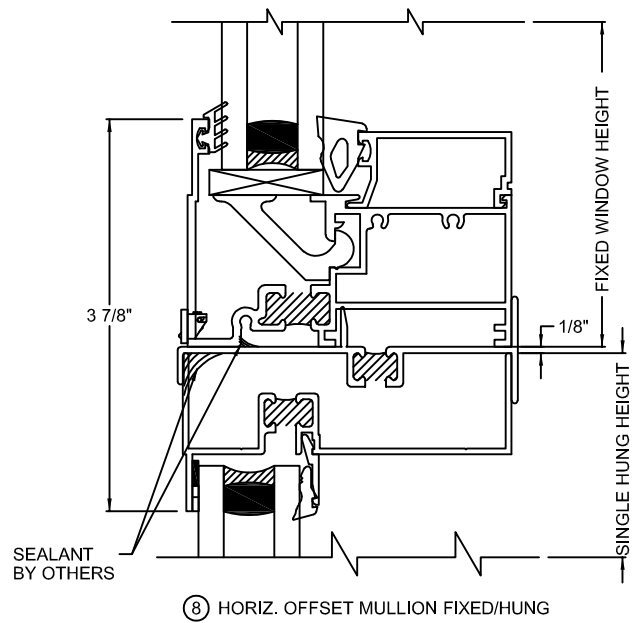
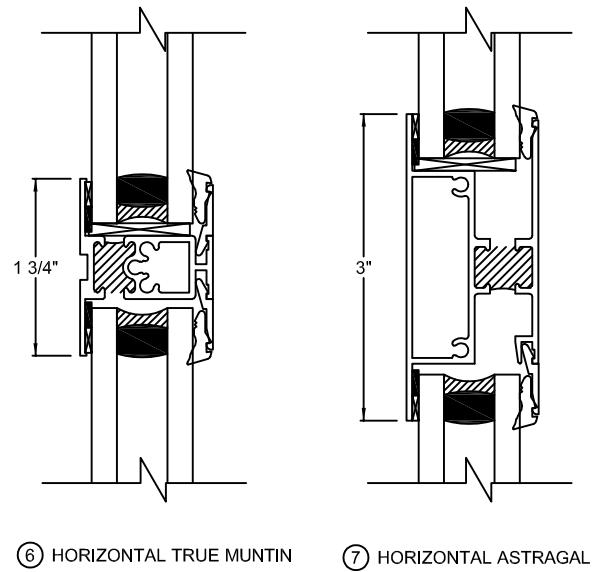
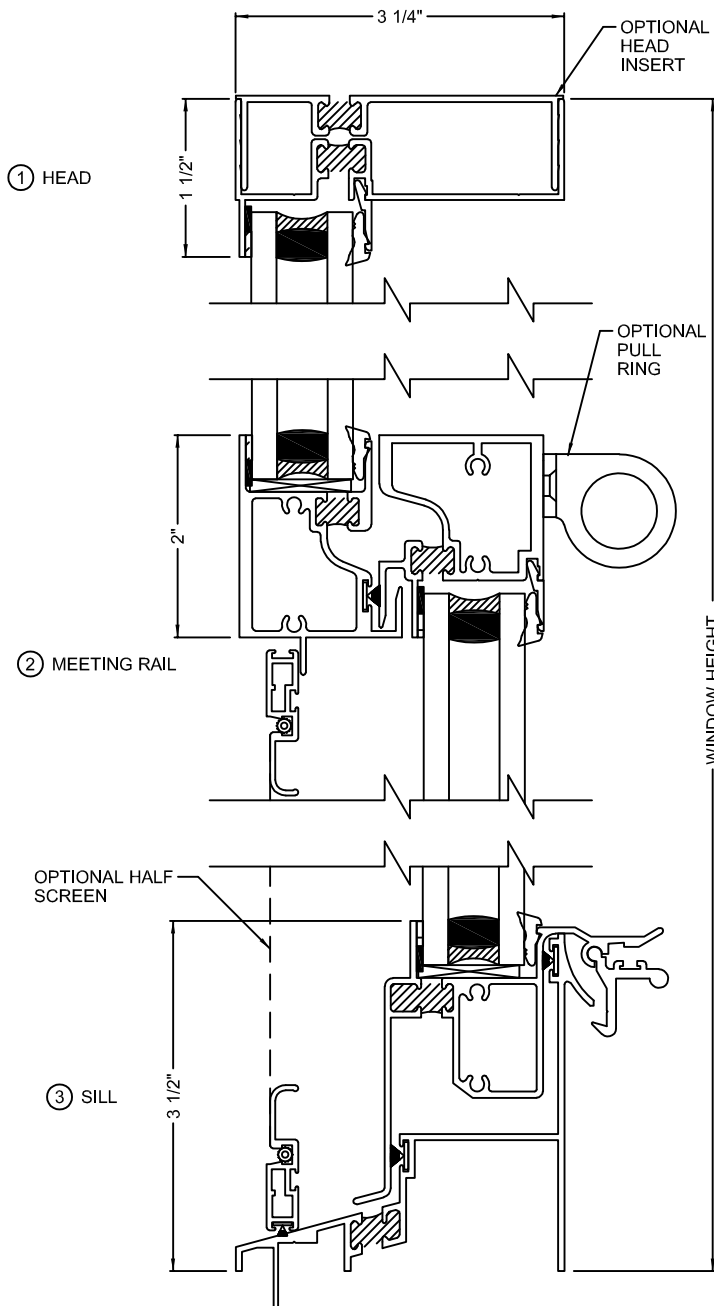


TR-9100
(TRI-LITE)

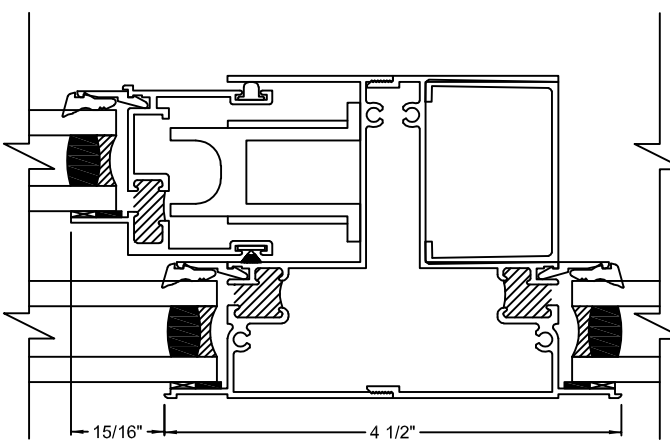
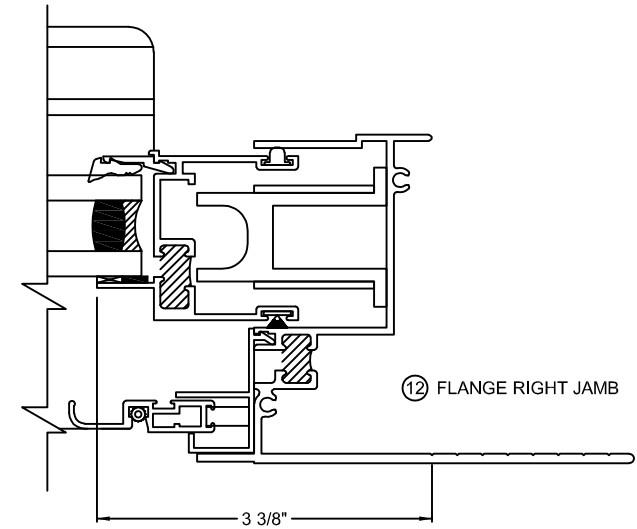
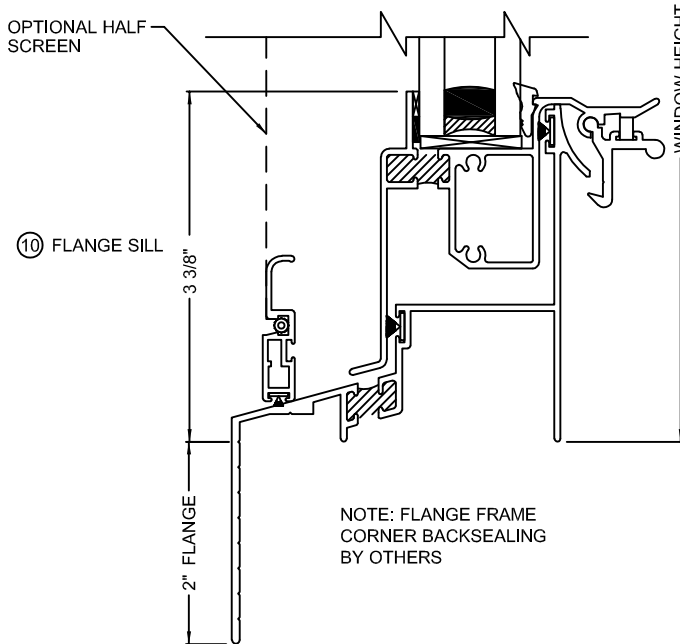
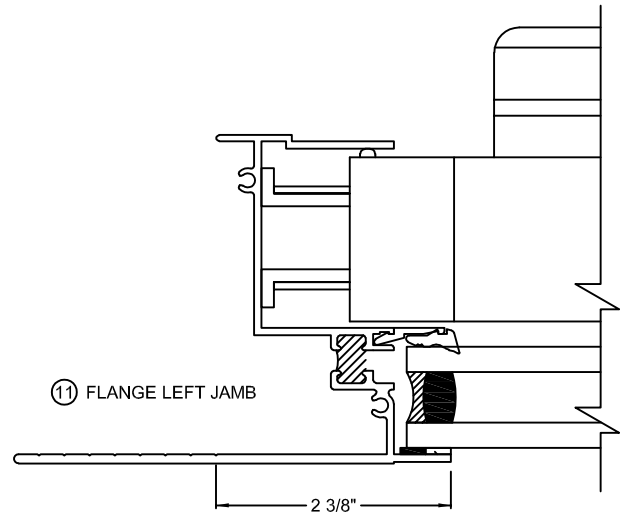
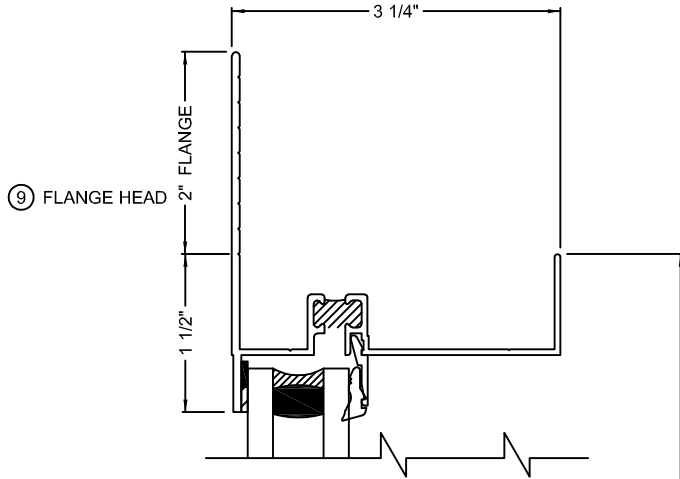


TR-9100
(SINGLE GLAZED)

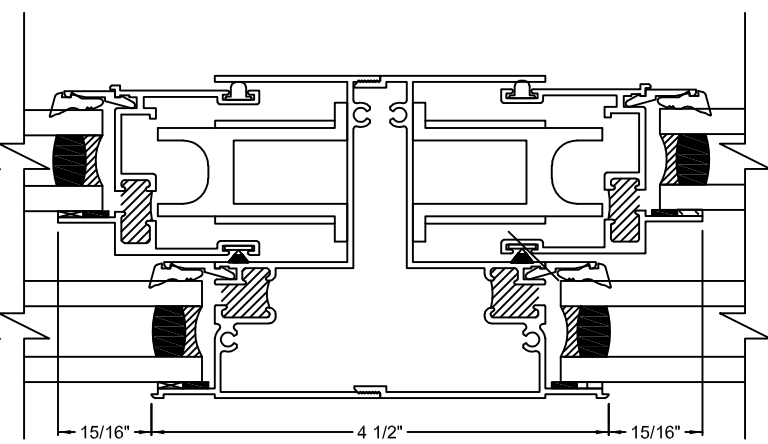
HALF SCALE SECTIONS



HALF SCALE SECTIONS

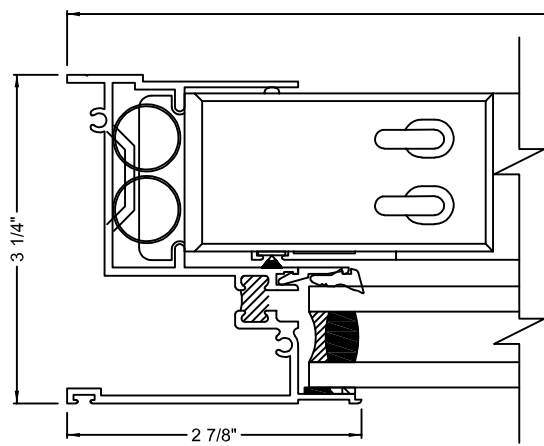


⑬ VERTICAL INTEGRAL MULLION
(OPERABLE/FIXED)

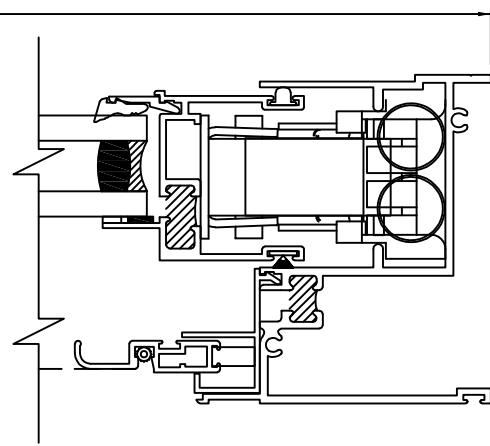


⑬ ALT. VERTICAL INTEGRAL MULLION
(OPERABLE/OPERABLE)

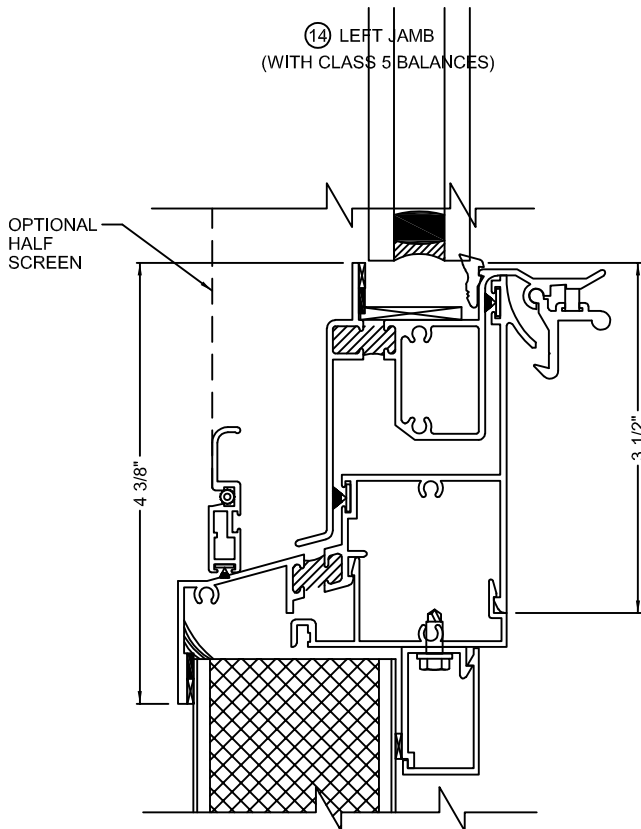
HALF SCALE SECTIONS



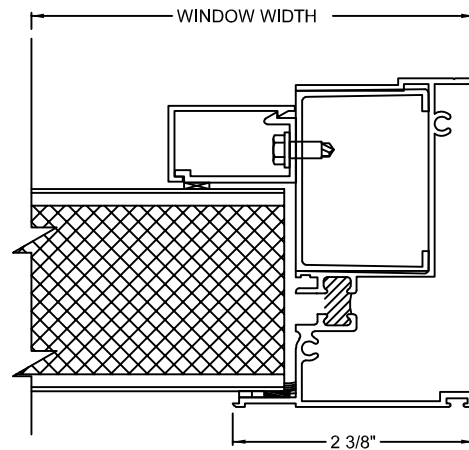
⑭ LEFT JAMB
(WITH CLASS 5 BALANCES)



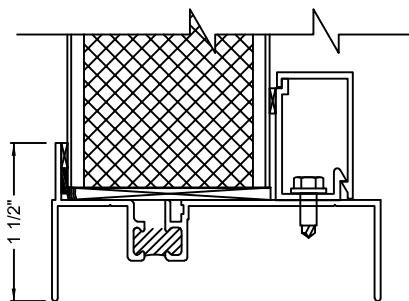
⑮ RIGHT JAMB
(WITH CLASS 5 BALANCES)



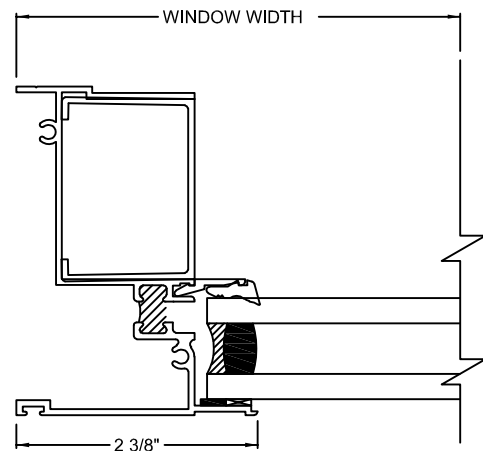
⑯ TRI-LIGHT
INTERMEDIATE SILL
(WITH 2" PANEL)



⑰ TRI-LIGHT FIXED JAMB
(WITH 2" PANEL)

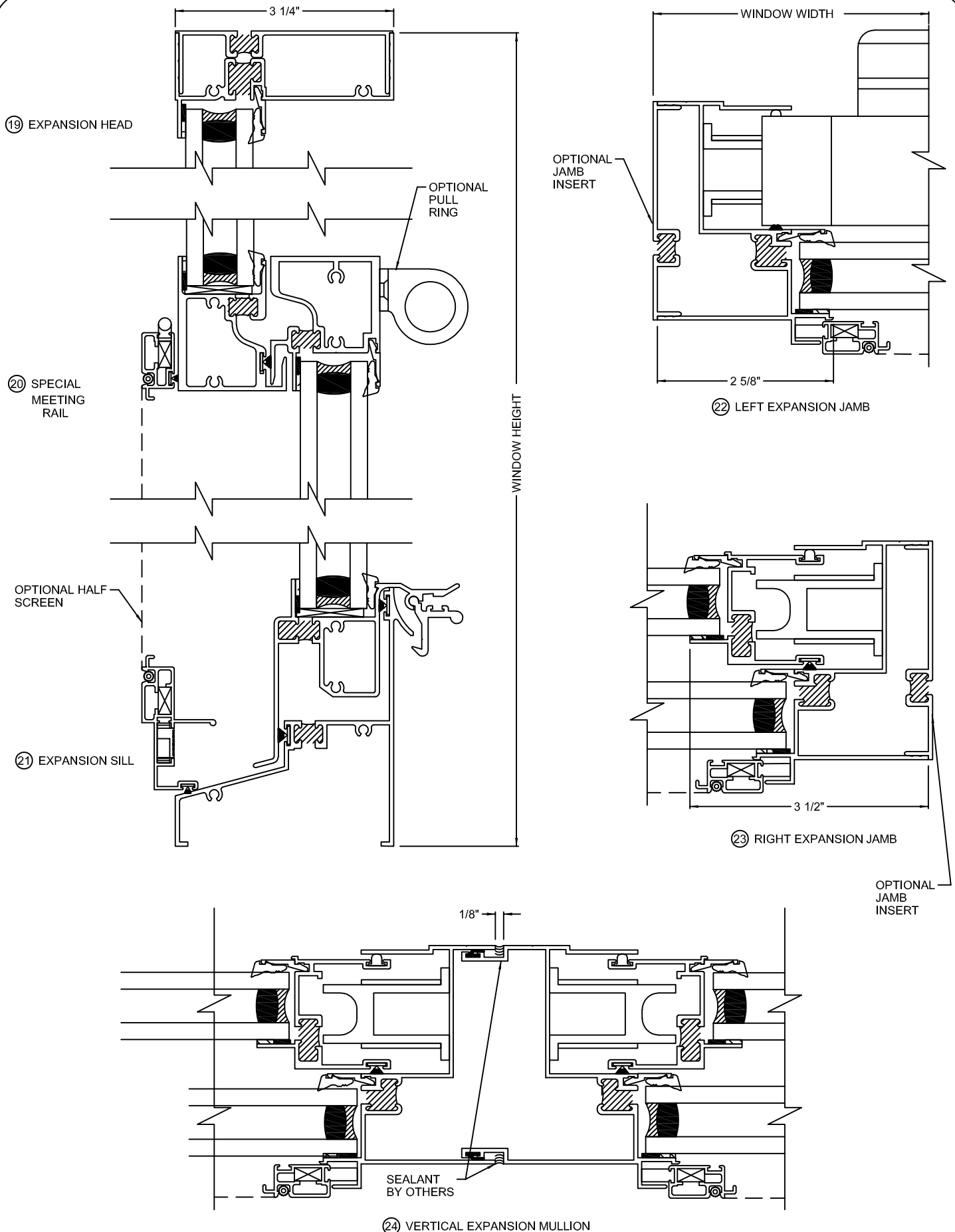


⑱ FIXED SILL
(WITH 2" PANEL)



⑱ ALT. TRI-LIGHT FIXED JAMB
(WITH ALTERNATE 1" INS. GLASS)

HALF SCALE SECTIONS



HALF SCALE SECTIONS

