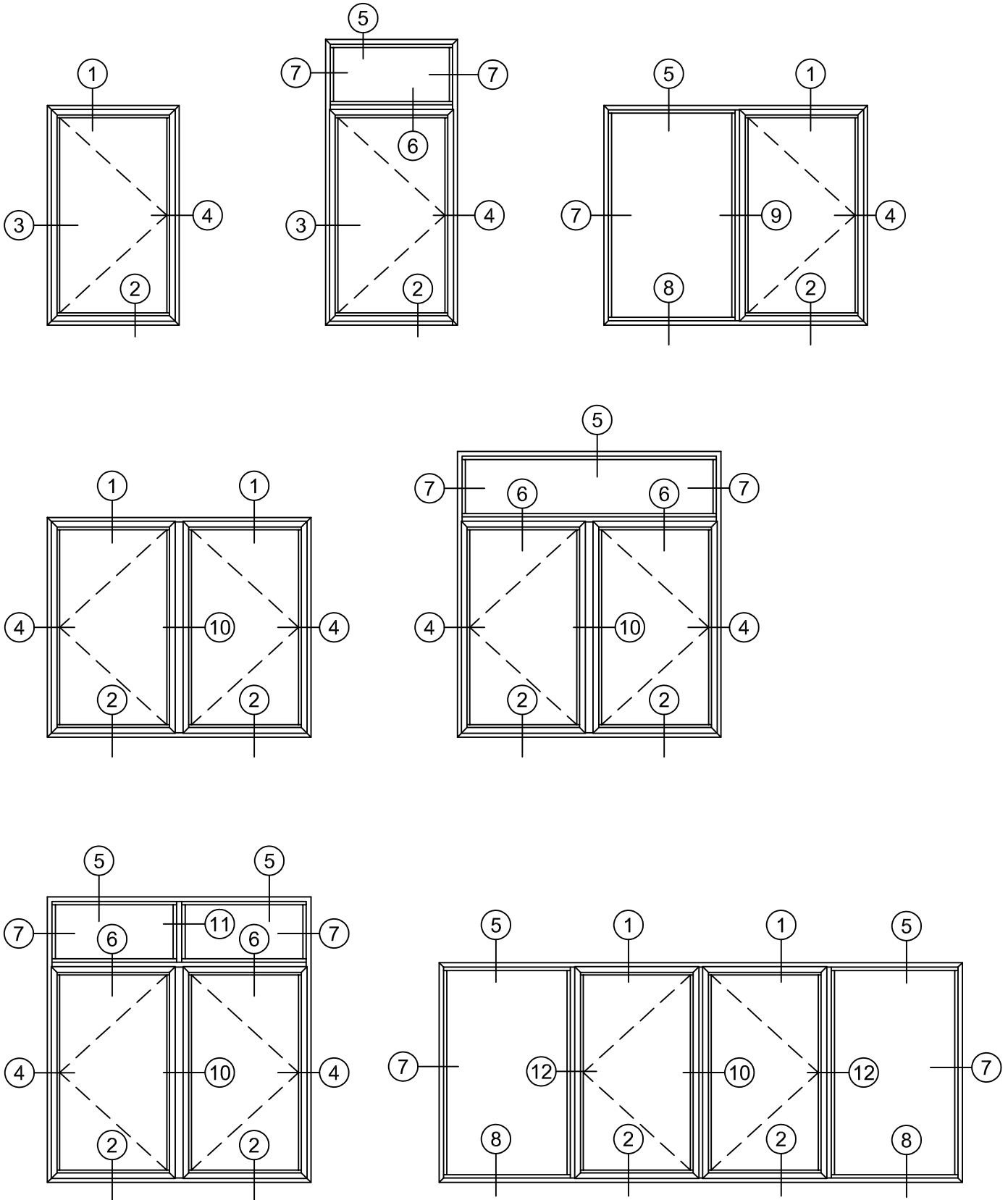
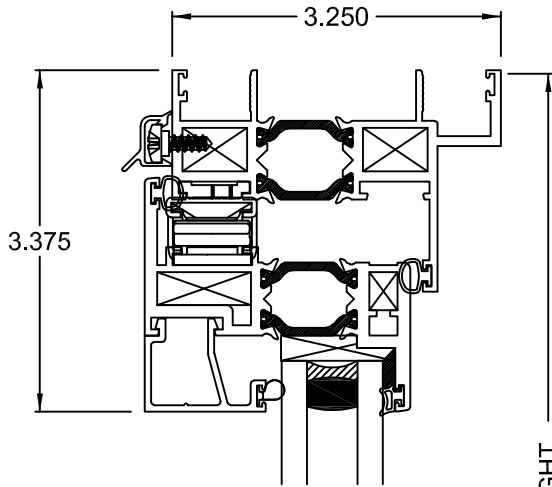


ELEVATIONS

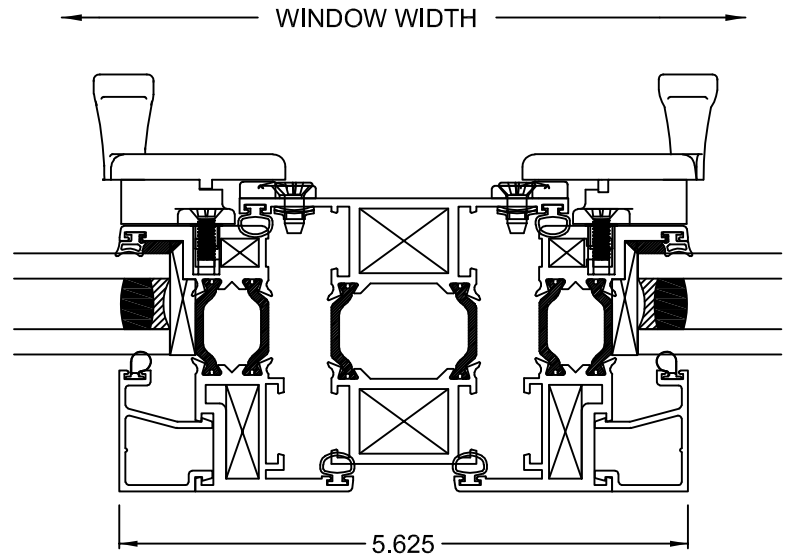
**SERIES NX-3100
CASEMENT OUTSWING**



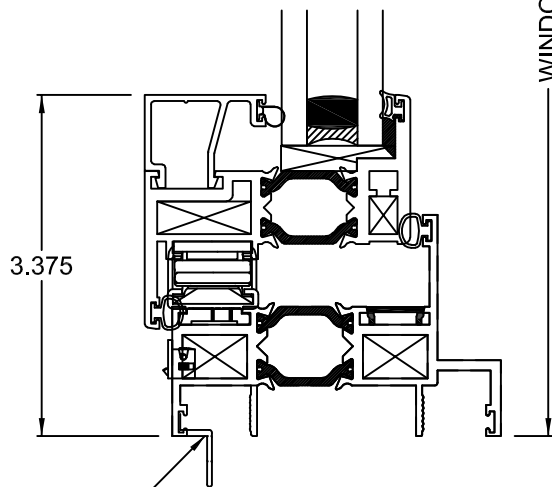
HALF SCALE DETAILS



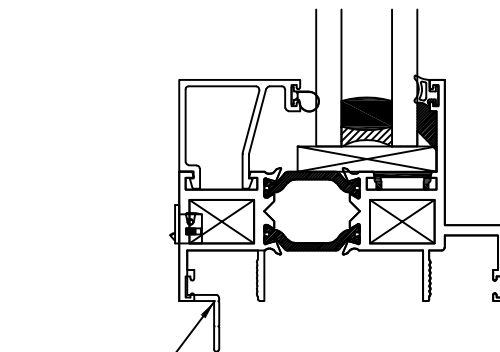
① HEAD VENT



⑩ VERTICAL VENT/VENT MULLION



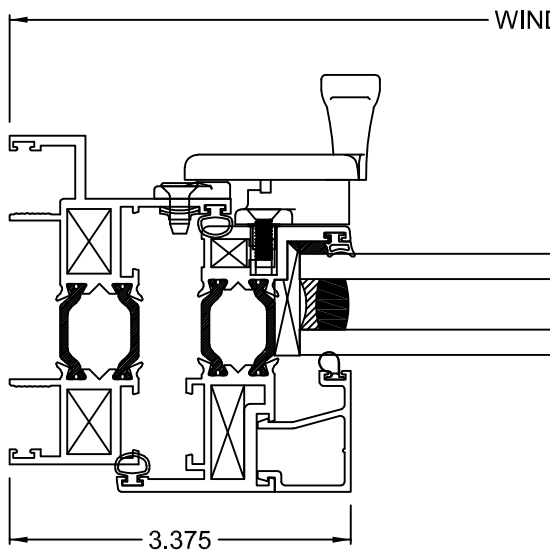
② SILL VENT



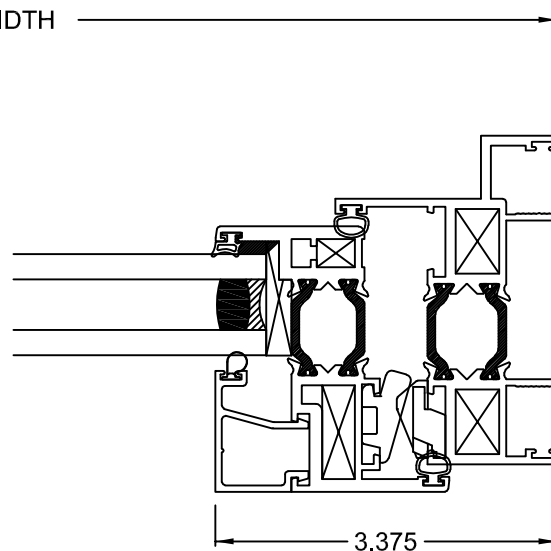
⑧ SILL FIXED

OPTIONAL
PANNING
LEG SILL

OPTIONAL
PANNING
LEG SILL

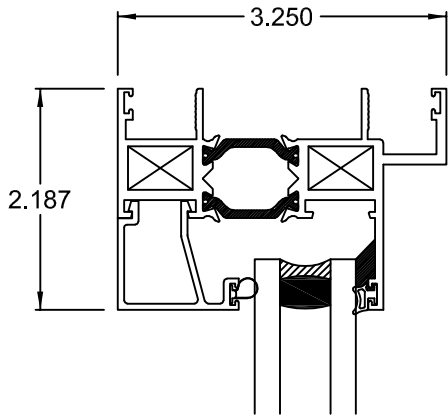


③ HANDLE JAMB

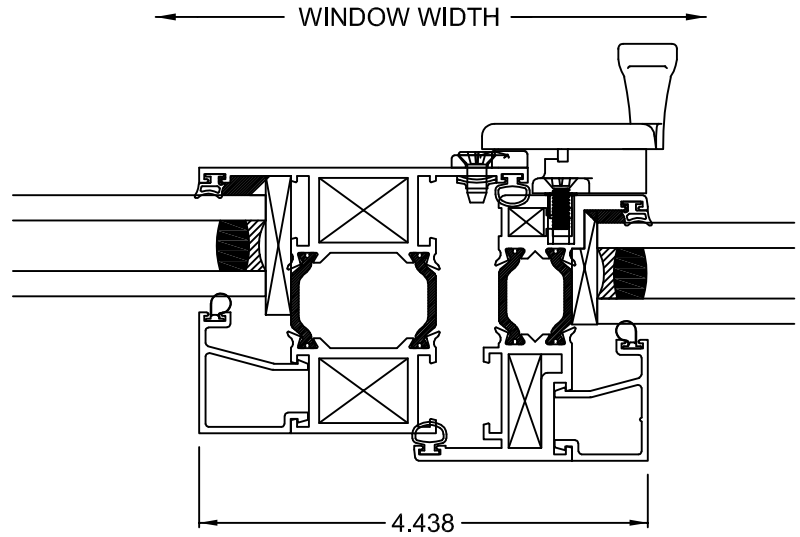


④ PIVOT JAMB

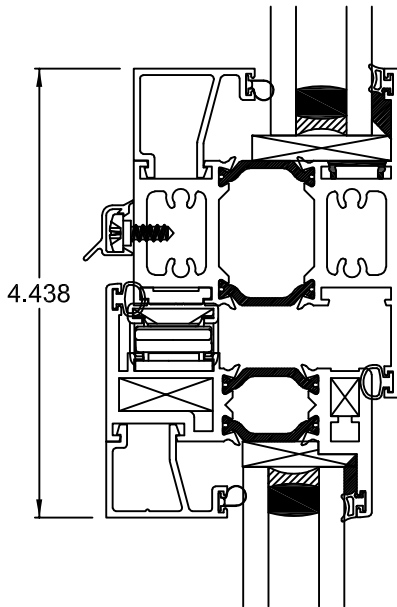
HALF SCALE DETAILS



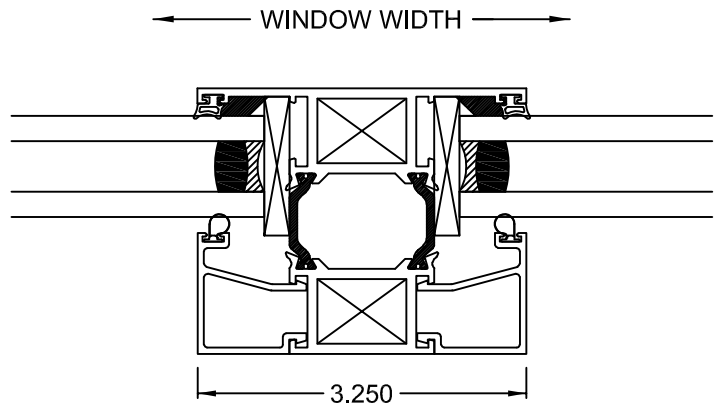
⑤ FIXED HEAD



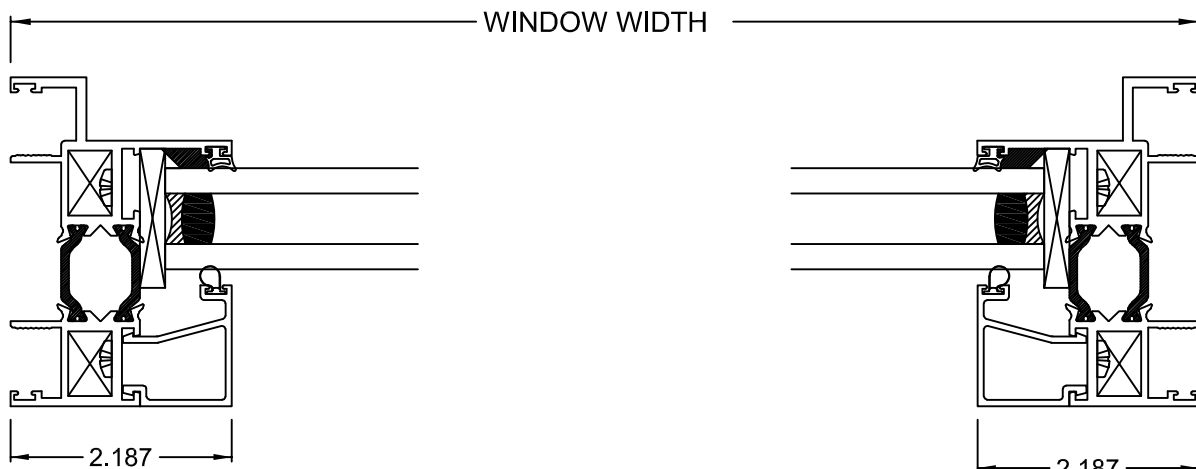
⑨ VERTICAL VENT/FIXED MULLION



⑥ HORIZ. INTEGRAL MULLION



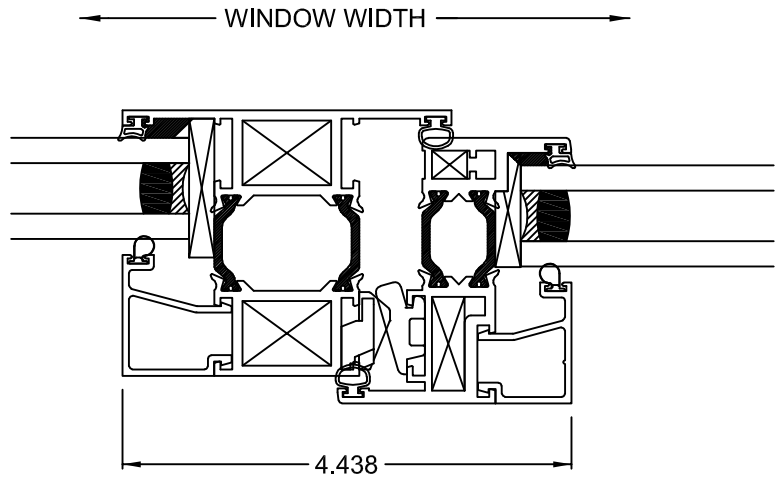
⑪ VERTICAL FIXED /FIXED MULLION



⑦ FIXED JAMB

⑦ FIXED JAMB

HALF SCALE DETAILS



⑫ VERTICAL FIXED/VENT MULLION