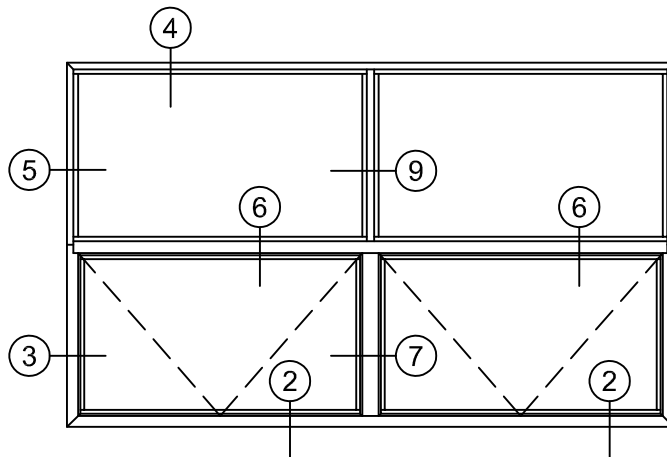
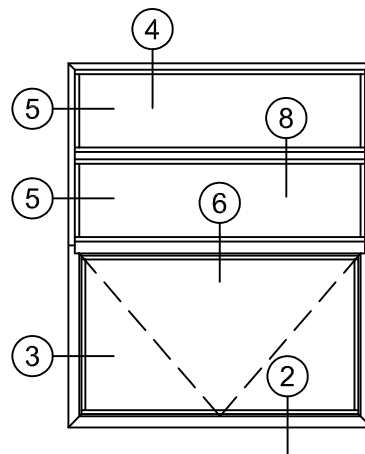
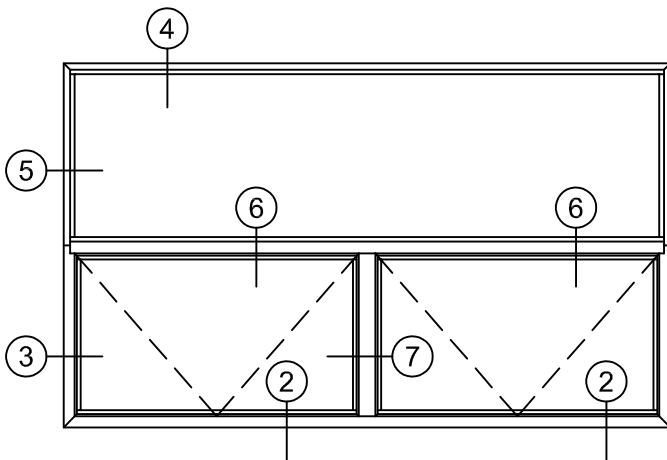
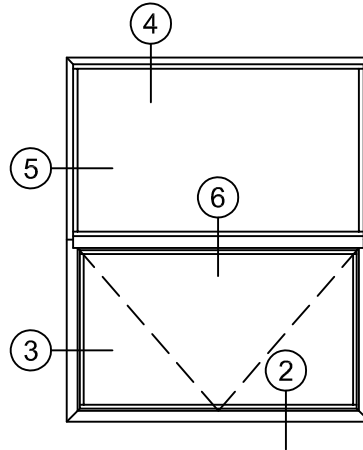
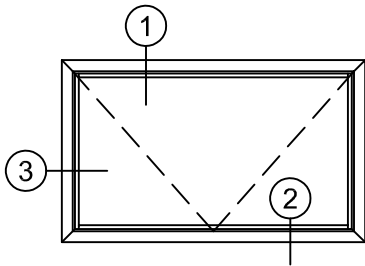


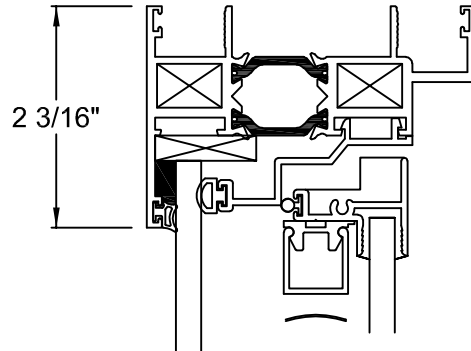
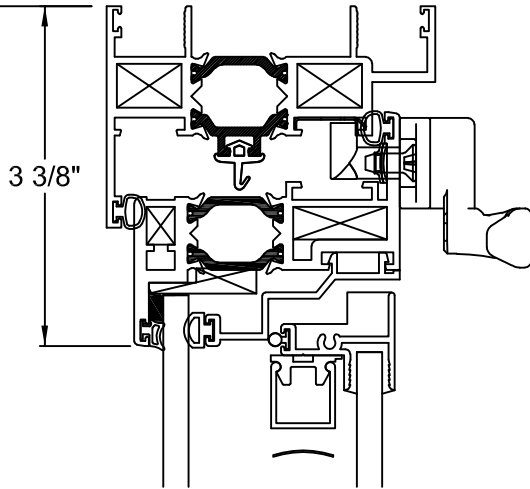
ELEVATIONS

SERIES NX-3400
PROJECT IN
WITH P2



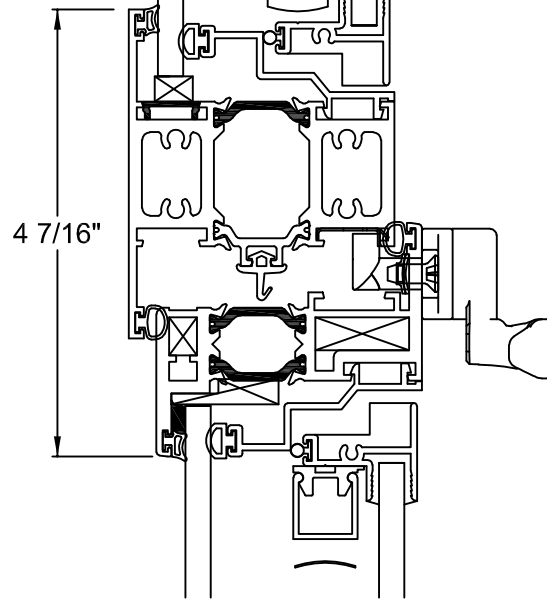
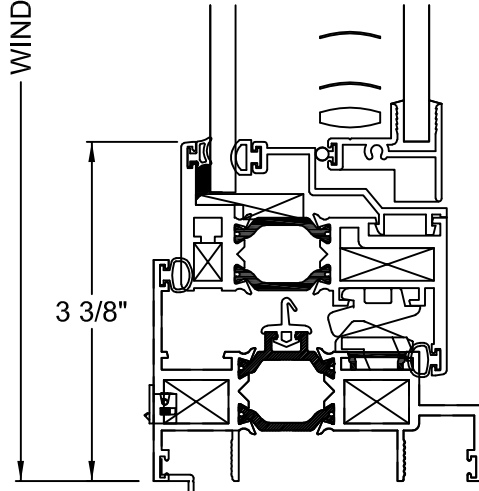
HALF SCALE DETAILS

① OPERATING HEAD



④ FIXED HEAD

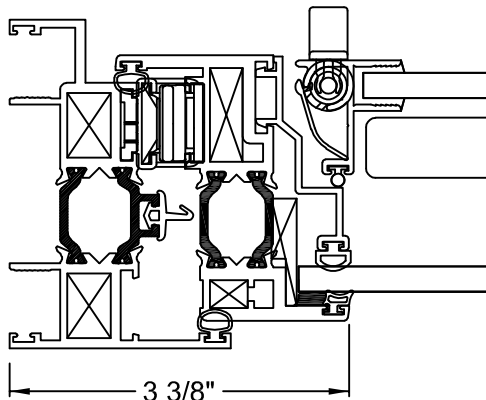
① HEAD VENT



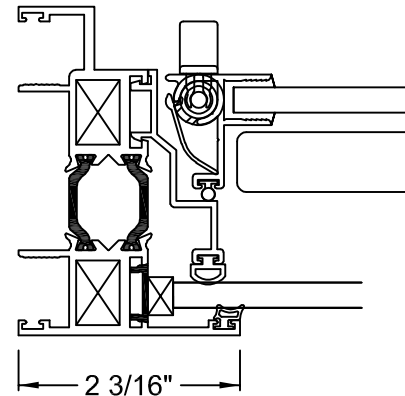
⑥ HORIZONTAL INTEGRAL
FIXED/VENT MULLION

OPTIONAL
PANNING
LEG SILL

② OPERATING SILL

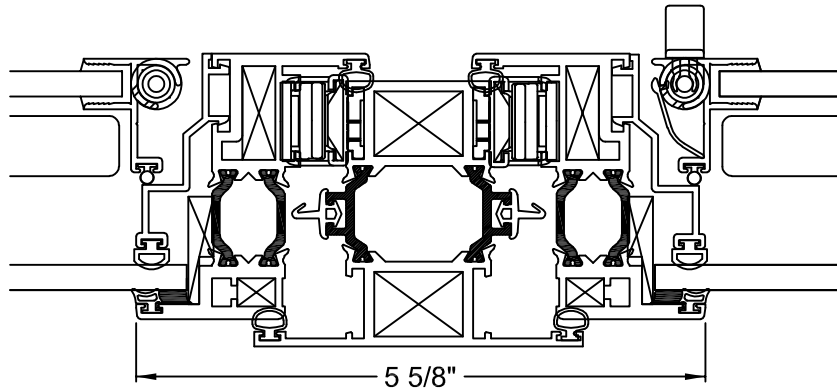


③ VENT JAMB

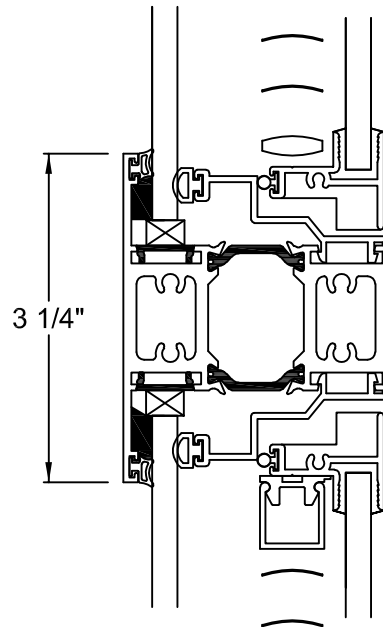


⑤ FIXED JAMB

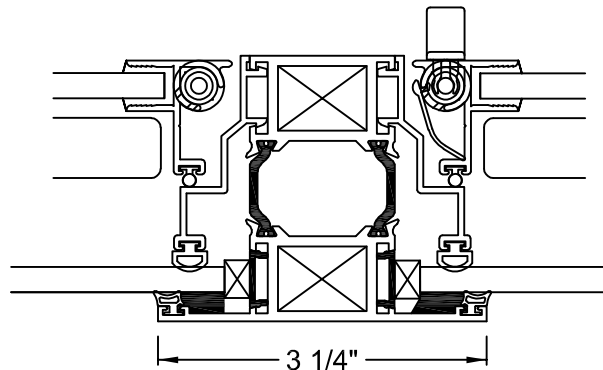
HALF SCALE DETAILS



⑦ VERTICAL INTEGRAL
VENT/VENT MULLION



⑧ HORIZONTAL INTEGRAL
FIXED/FIXED MULLION



⑨ VERTICAL INTEGRAL
FIXED/FIXED MULLION