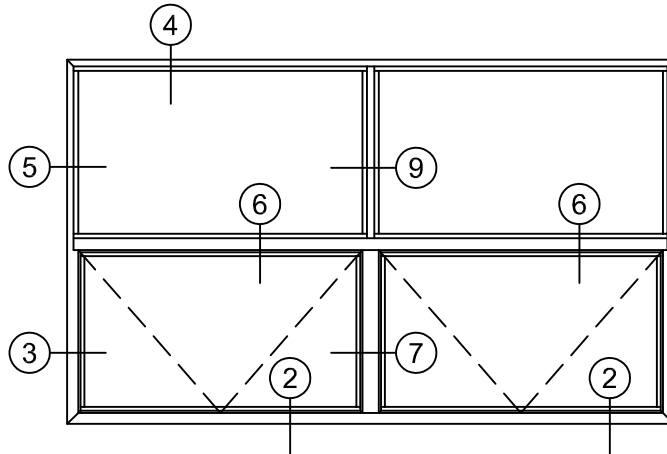
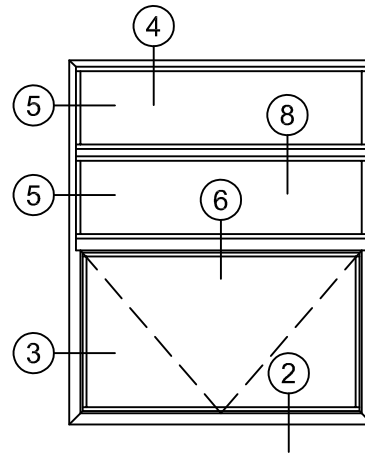
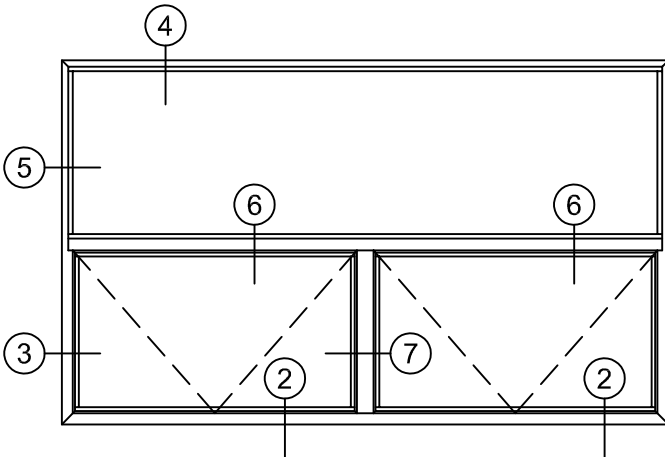
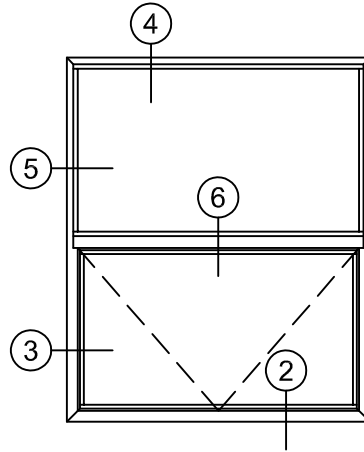
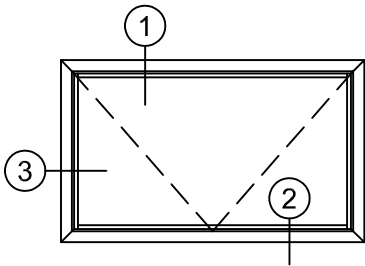
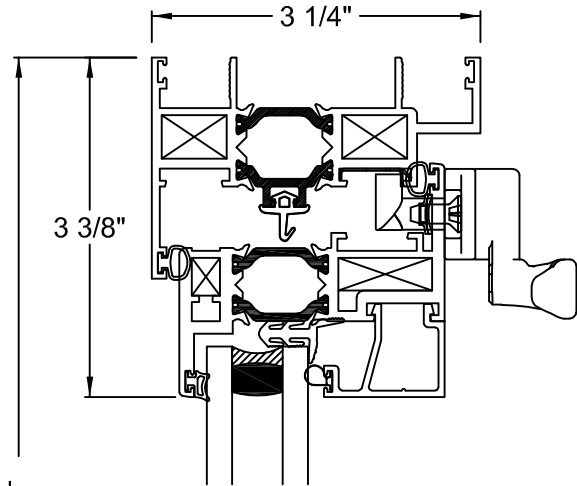


ELEVATIONS

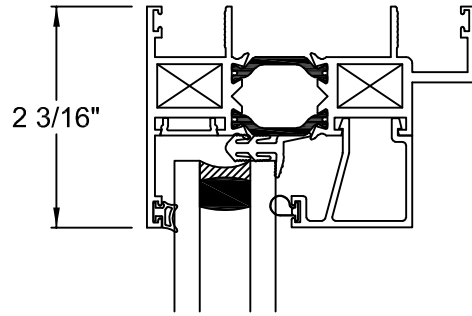
SERIES NX-3400DG  
PROJECT IN



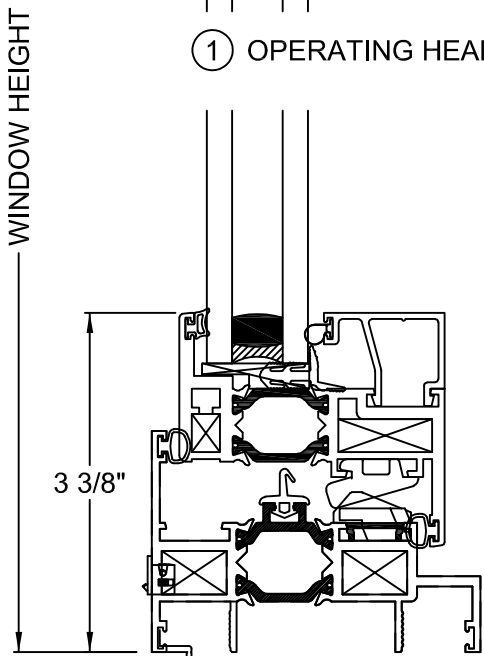
HALF SCALE DETAILS



① OPERATING HEAD

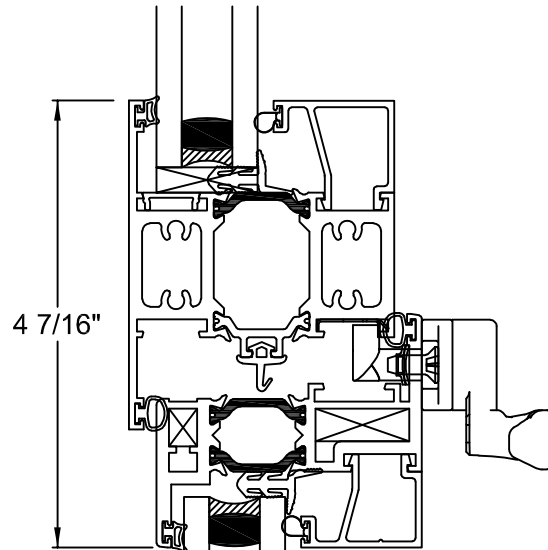


④ FIXED HEAD

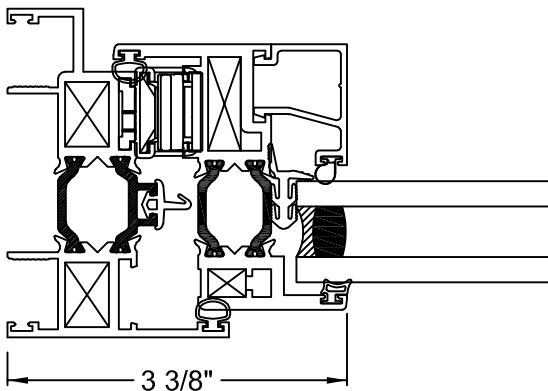


OPTIONAL  
PANNING  
LEG SILL

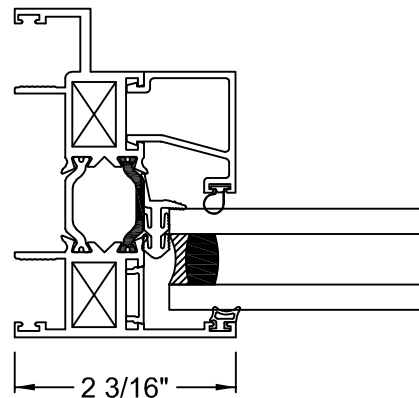
② OPERATING SILL



⑥ HORIZONTAL INTEGRAL  
FIXED/VENT MULLION

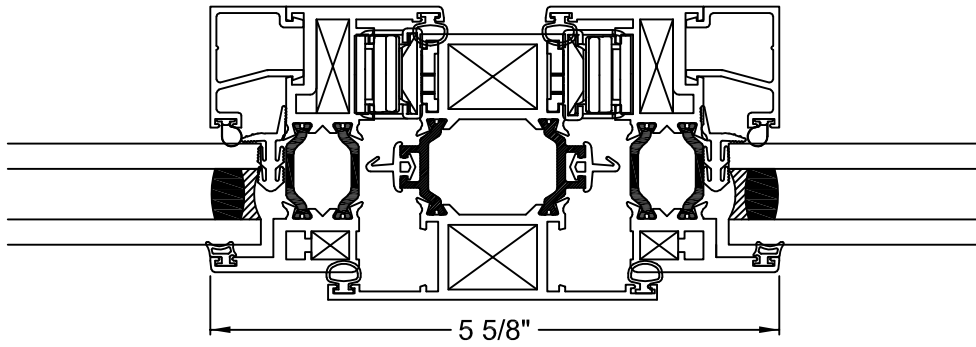


③ VENT JAMB

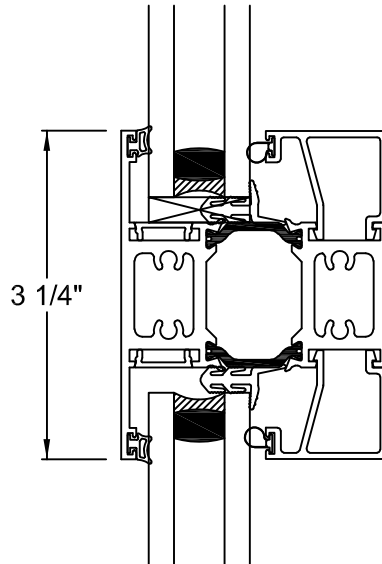


⑤ FIXED JAMB

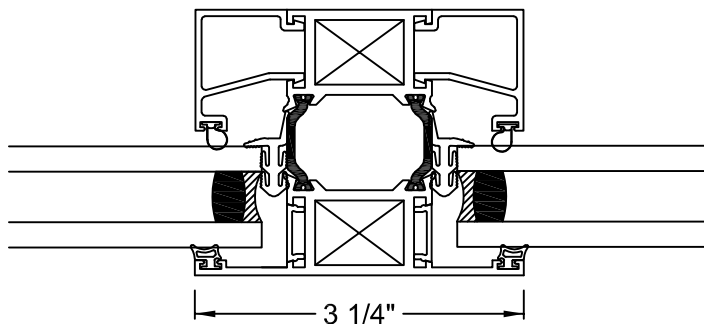
HALF SCALE DETAILS



⑦ VERTICAL INTEGRAL  
VENT/VENT MULLION



⑧ HORIZONTAL INTEGRAL  
FIXED/FIXED MULLION



⑨ VERTICAL INTEGRAL  
FIXED/FIXED MULLION