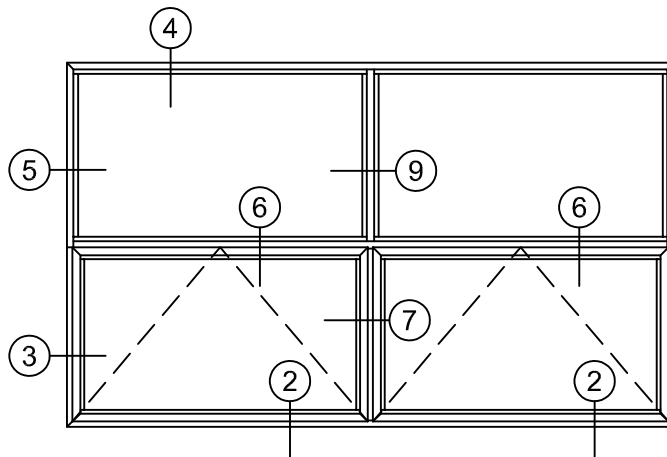
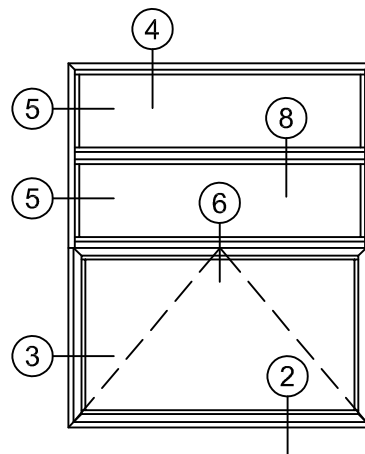
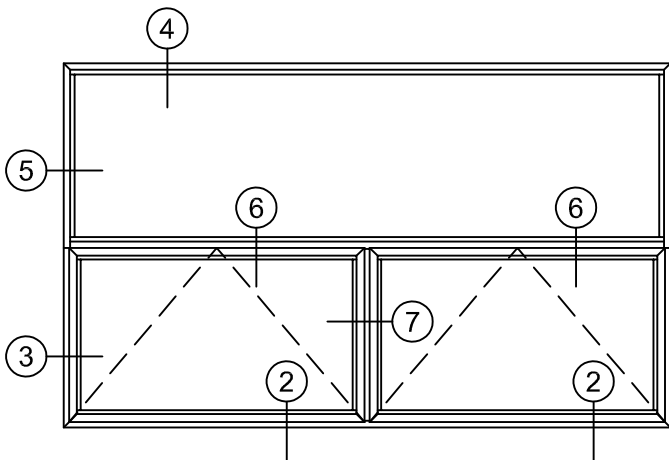
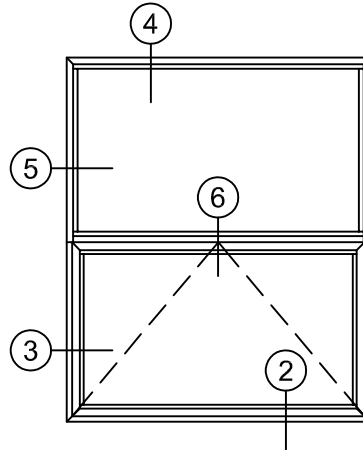
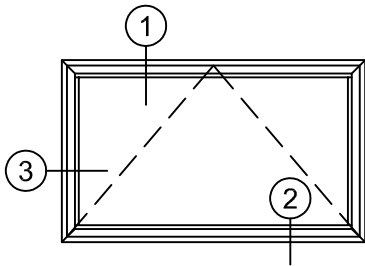


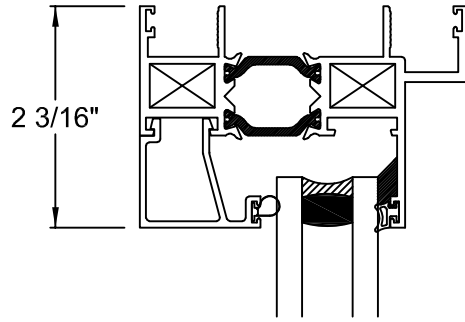
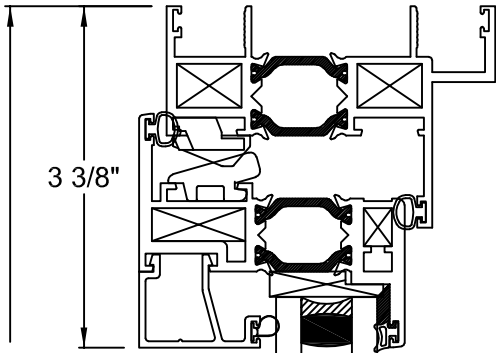
ELEVATIONS

SERIES NX-3500  
PROJECT OUT



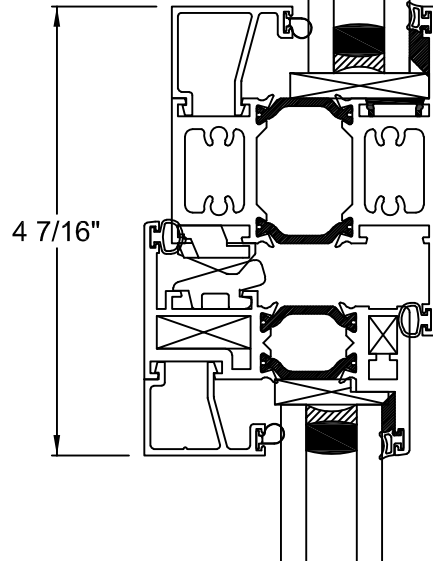
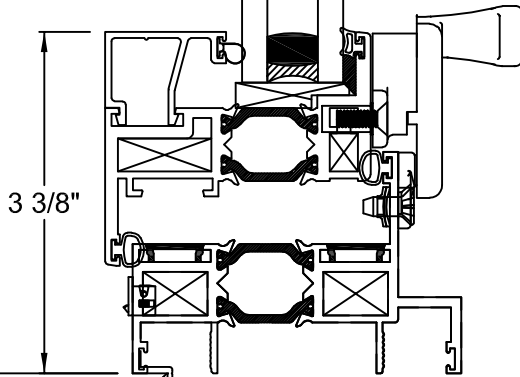
HALF SCALE DETAILS

① OPERATING HEAD



④ FIXED HEAD

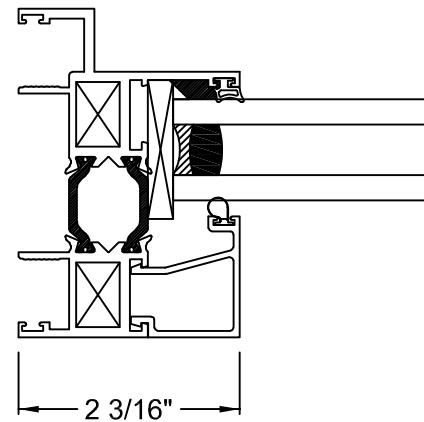
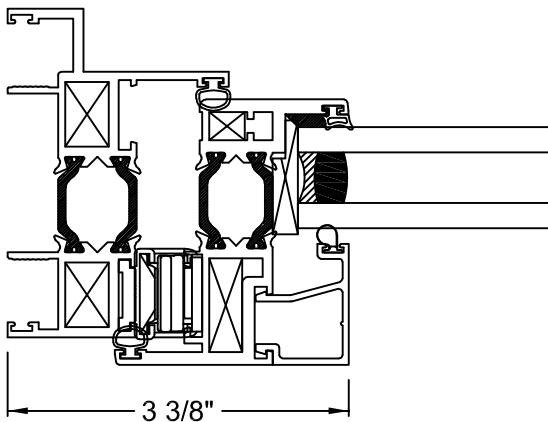
WINDOW HEIGHT



OPTIONAL  
PANNING  
LEG SILL

② OPERATING SILL

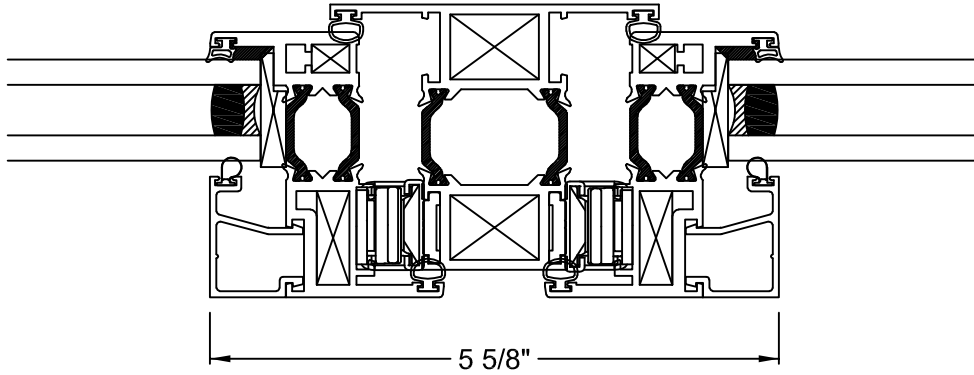
⑥ HORIZONTAL INTEGRAL  
FIXED/VENT MULLION



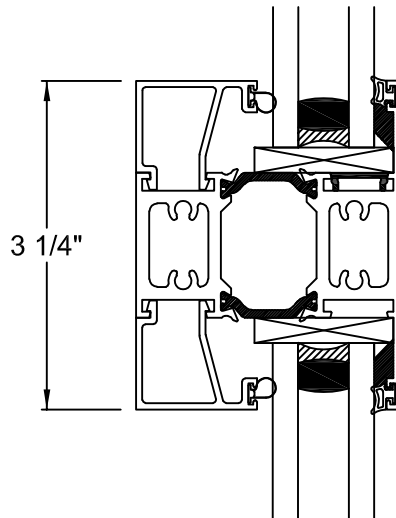
③ VENT JAMB

⑤ FIXED JAMB

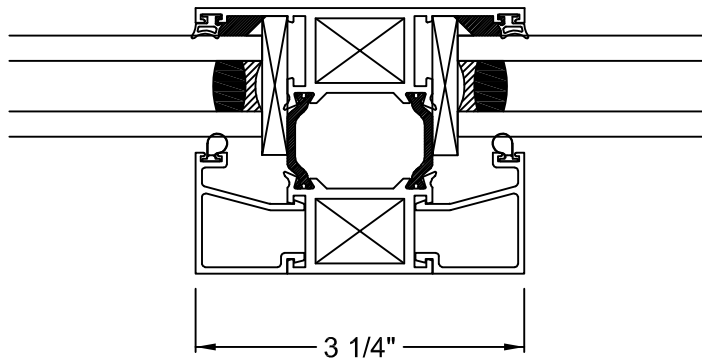
HALF SCALE DETAILS



⑦ VERTICAL INTEGRAL  
VENT/VENT MULLION



⑧ HORIZONTAL INTEGRAL  
FIXED/FIXED MULLION



⑨ VERTICAL INTEGRAL  
FIXED/FIXED MULLION