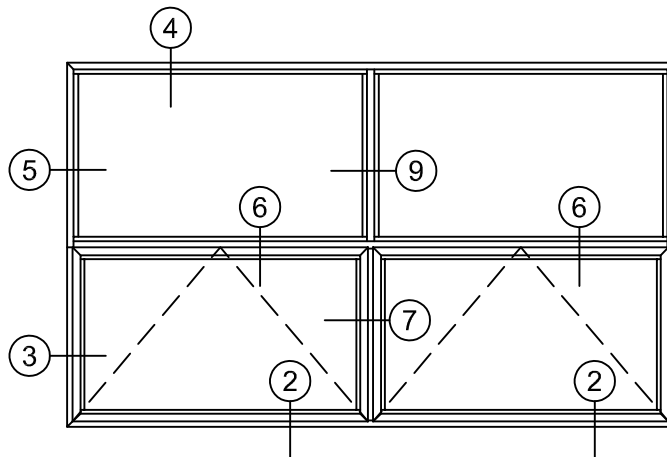
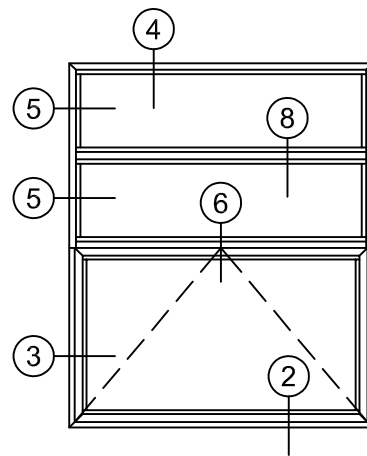
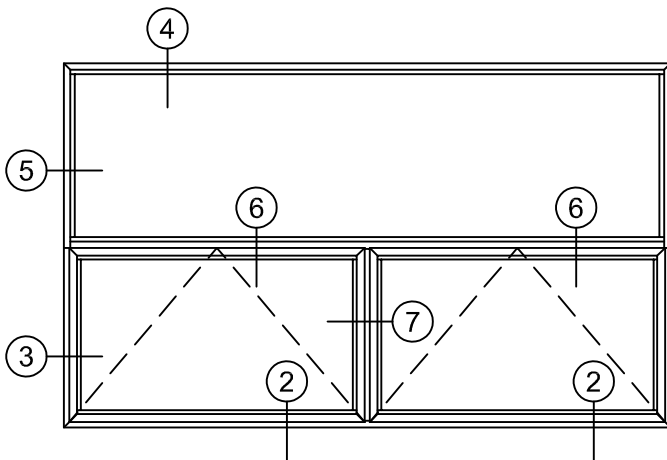
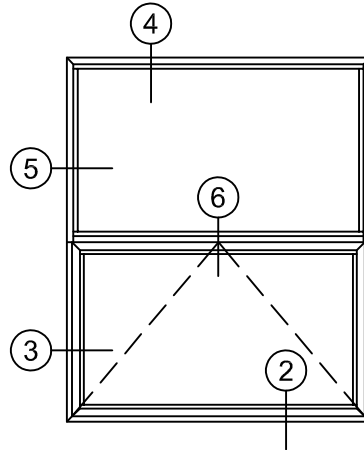
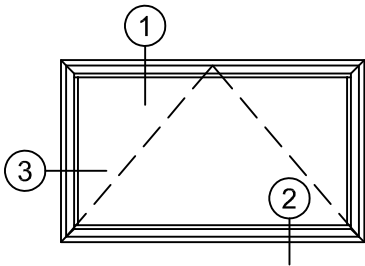
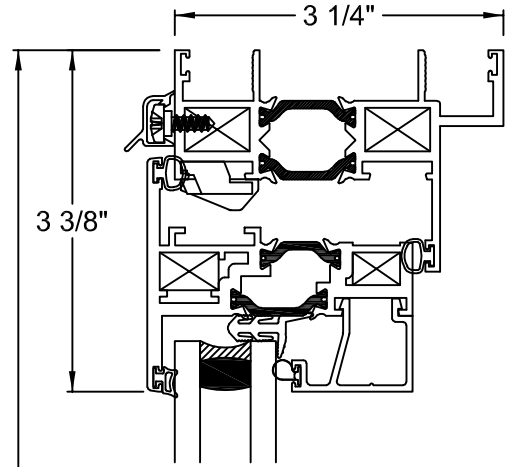


ELEVATIONS

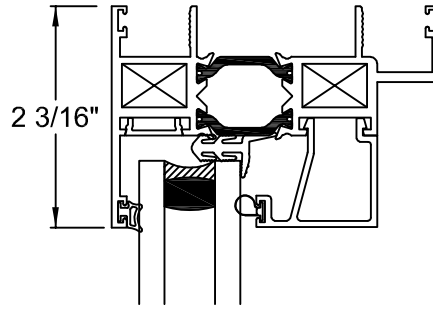
**SERIES NX-3500DG**  
**PROJECT OUT**



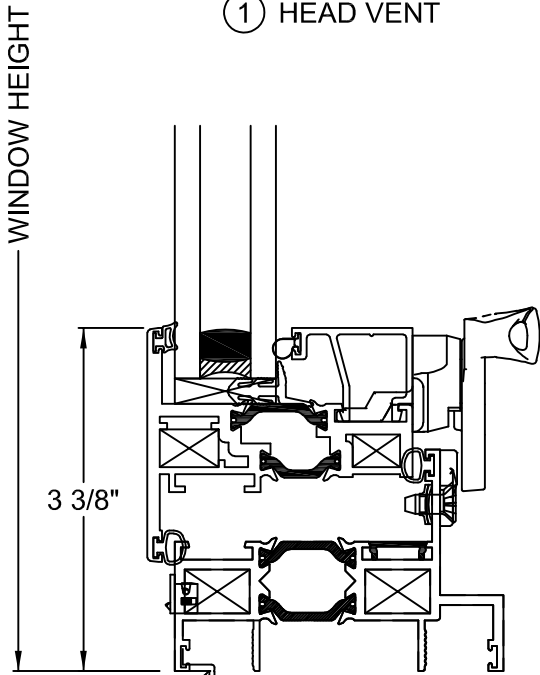
HALF SCALE DETAILS



① HEAD VENT

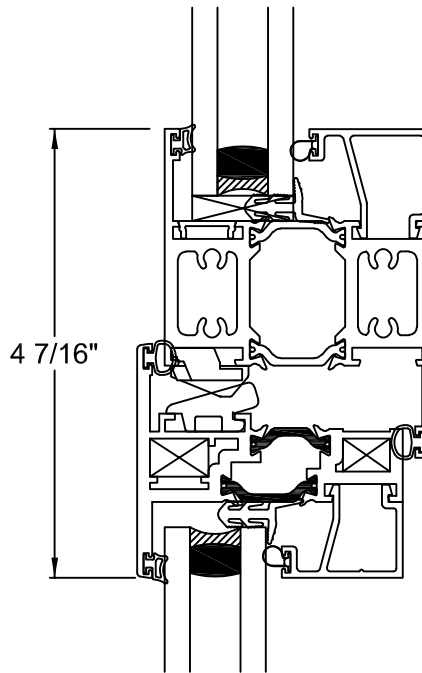


④ FIXED HEAD

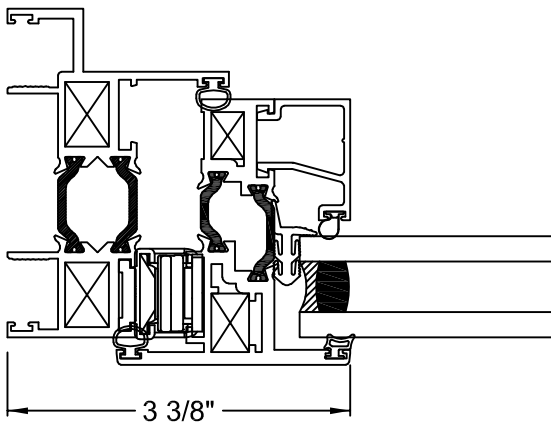


OPTIONAL  
PANNING  
LEG SILL

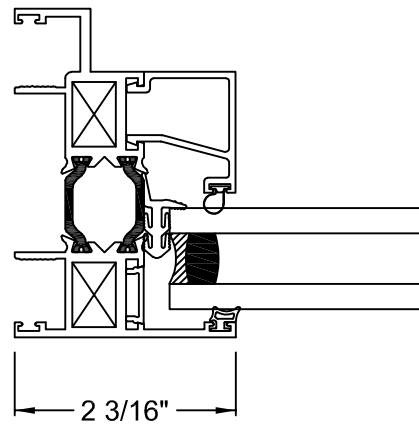
② OPERATING SILL



⑥ HORIZONTAL INTEGRAL  
FIXED/VENT MULLION



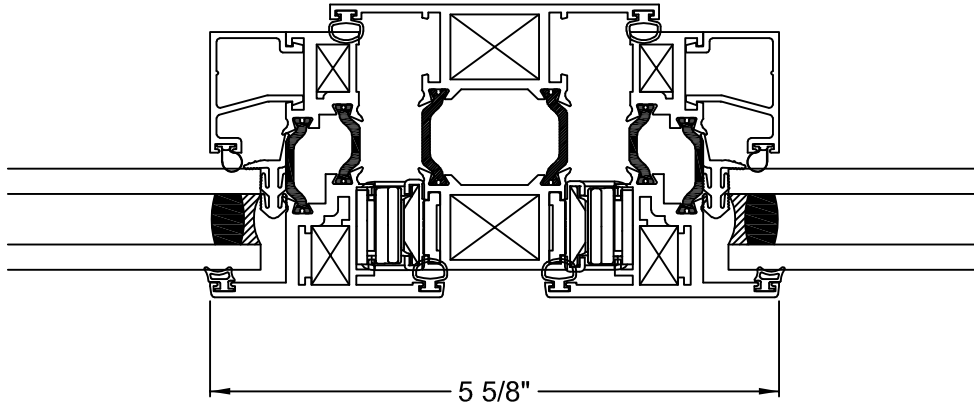
③ VENT JAMB



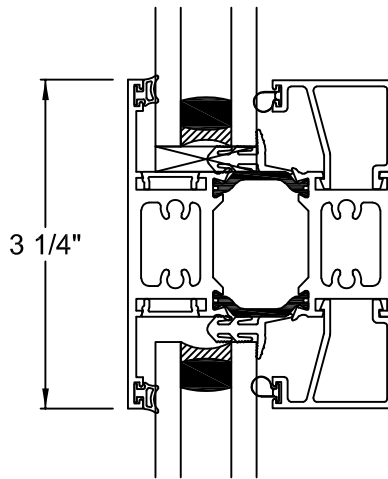
⑤ FIXED JAMB

WINDOW HEIGHT

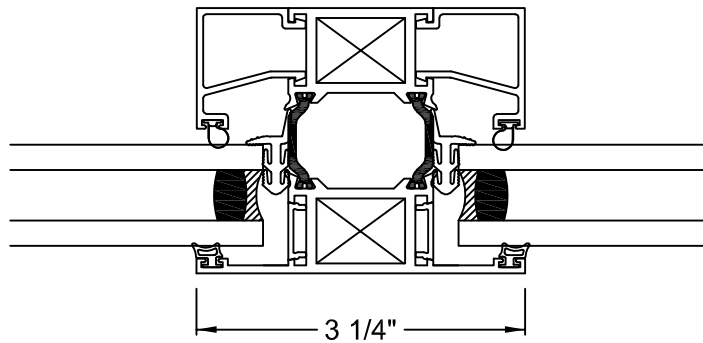
HALF SCALE DETAILS



⑦ VERTICAL INTEGRAL  
VENT/VENT MULLION



⑧ HORIZONTAL INTEGRAL  
FIXED/FIXED MULLION



⑨ VERTICAL INTEGRAL  
FIXED/FIXED MULLION