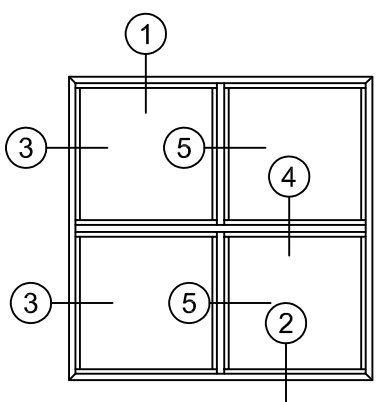
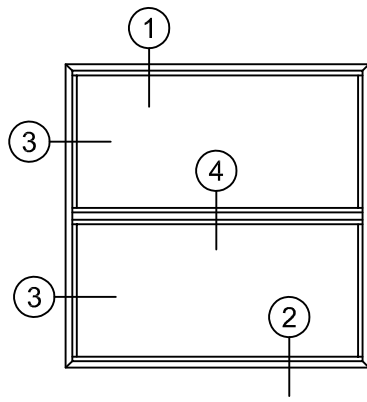
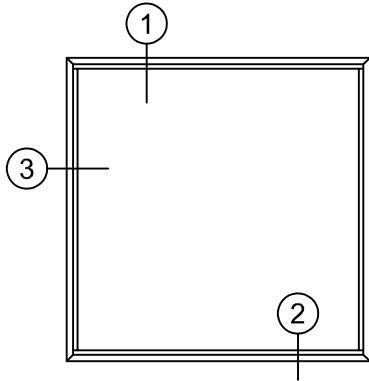


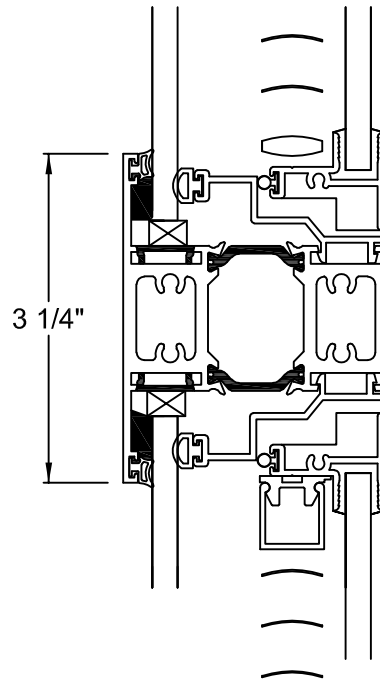
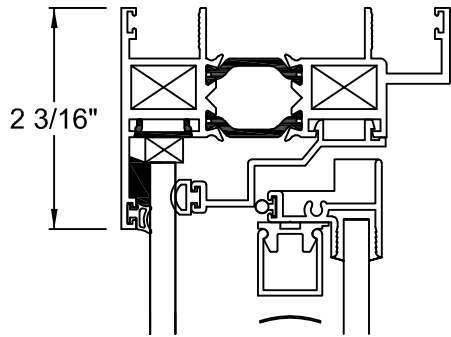
ELEVATIONS

SERIES NX-3800  
FIXED WITH P2

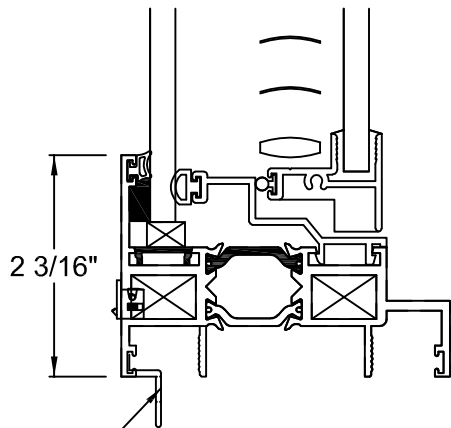


HALF SCALE SECTIONS

① FIXED HEAD

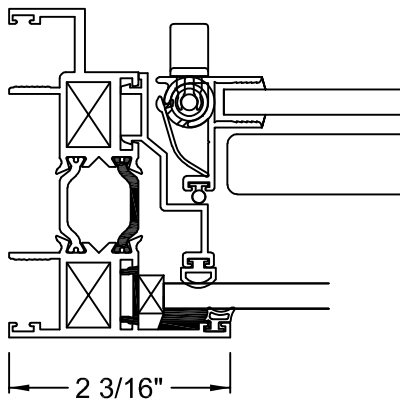


④ HORIZONTAL INTEGRAL  
FIXED/FIXED MULLION

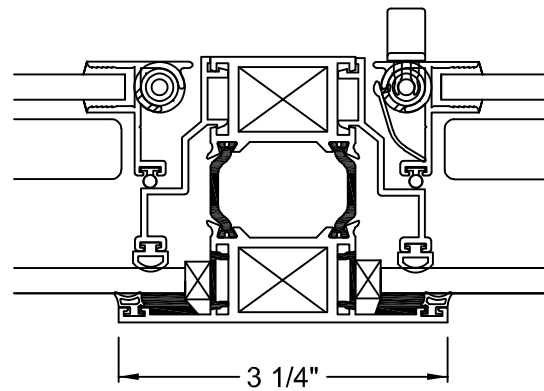


OPTIONAL  
PANNING  
LEG SILL

② FIXED SILL



③ FIXED JAMB



⑤ VERTICAL INTEGRAL  
FIXED/FIXED MULLION