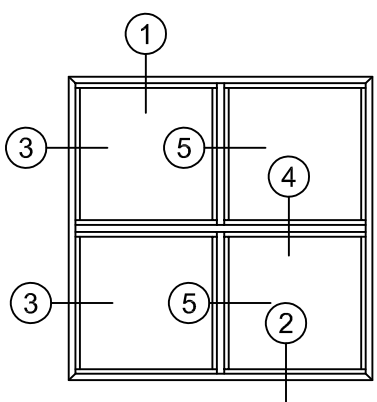
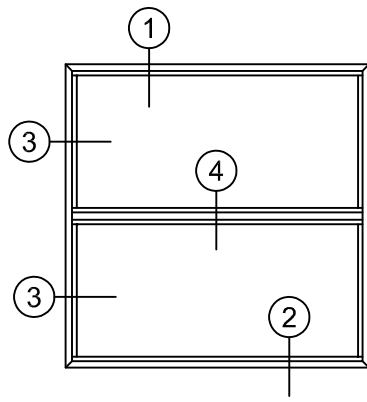
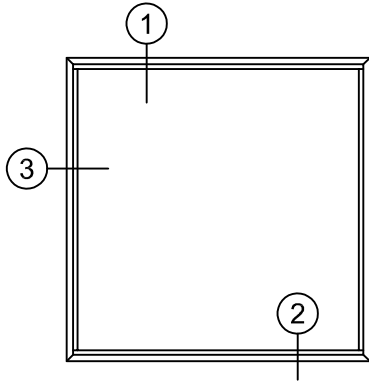


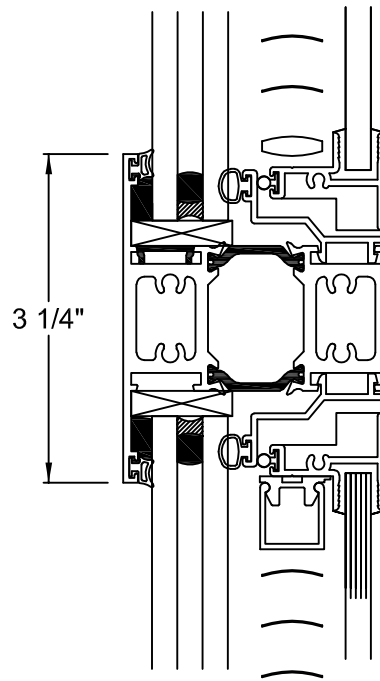
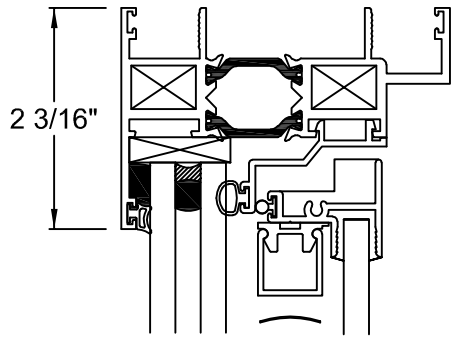
ELEVATIONS

SERIES NX-3800
FIXED WITH I3

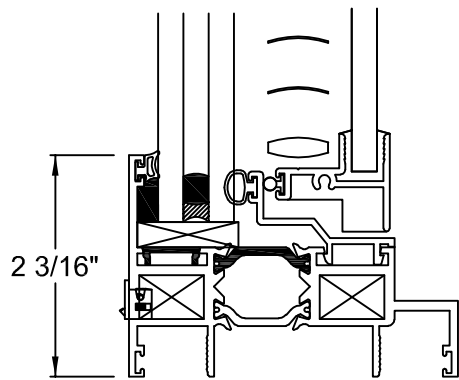


HALF SCALE SECTIONS

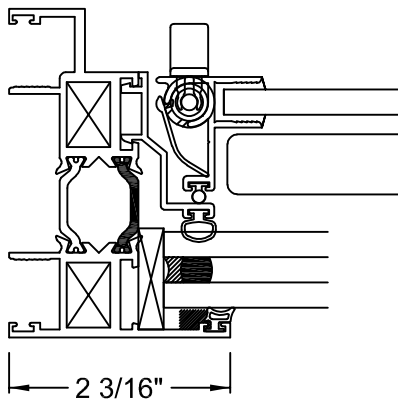
① FIXED HEAD



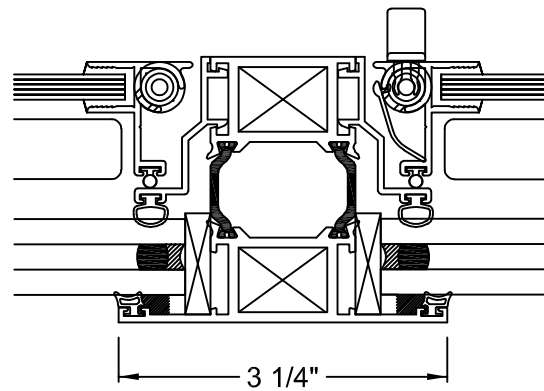
④ HORIZONTAL INTEGRAL
FIXED/FIXED MULLION



② FIXED SILL



③ FIXED JAMB



⑤ VERTICAL INTEGRAL
FIXED/FIXED MULLION