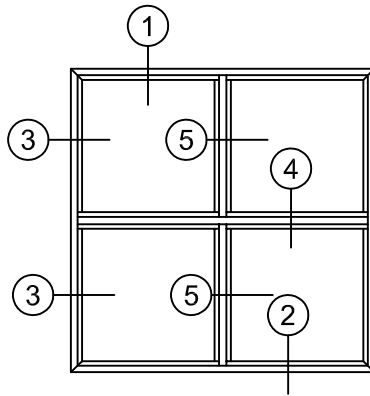
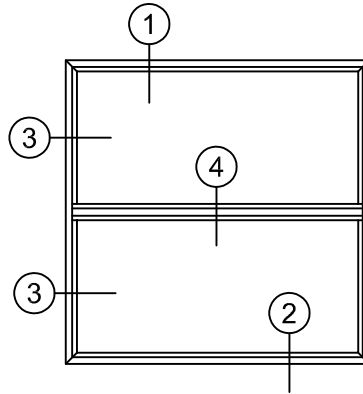
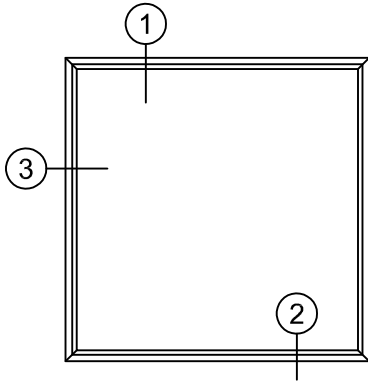
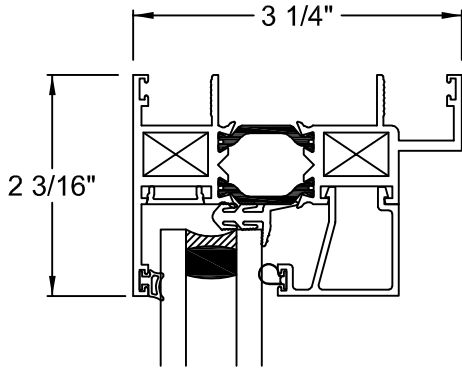


ELEVATIONS

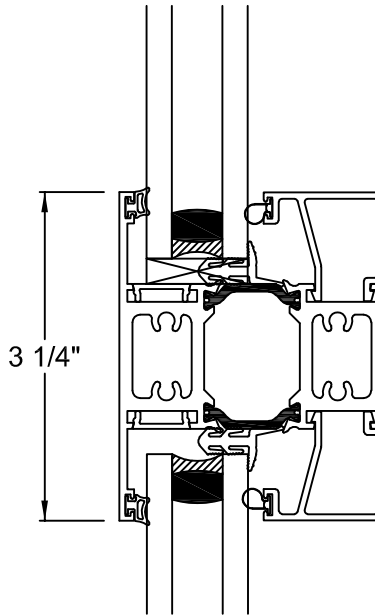
SERIES NX-3800DG  
FIXED



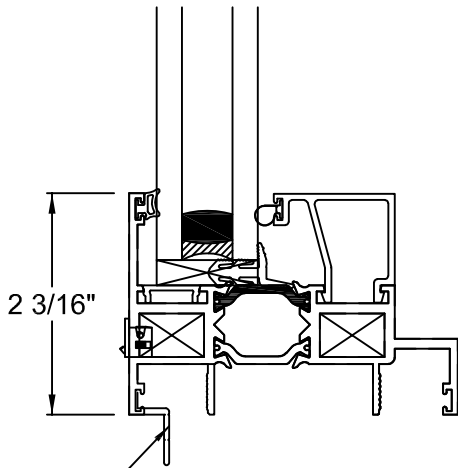
HALF SCALE SECTIONS



① FIXED HEAD

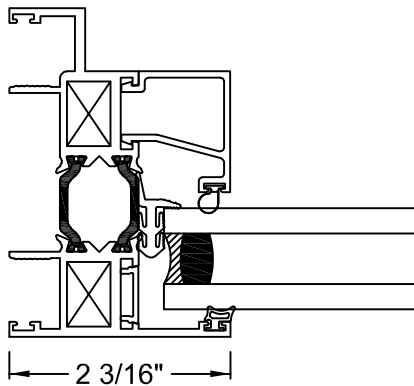


④ HORIZONTAL INTEGRAL  
FIXED/FIXED MULLION

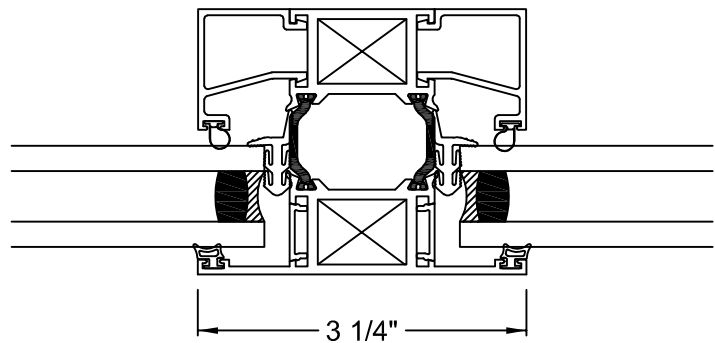


OPTIONAL  
PANNING  
LEG SILL

② FIXED SILL



③ FIXED JAMB



⑤ VERTICAL INTEGRAL  
FIXED/FIXED MULLION