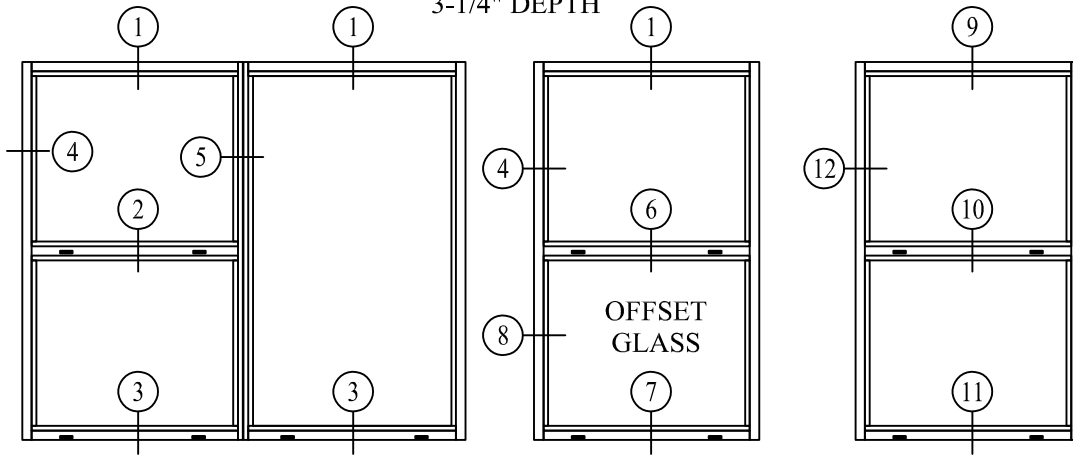


Elevations

SERIES TR-7100

3-1/4" DEPTH



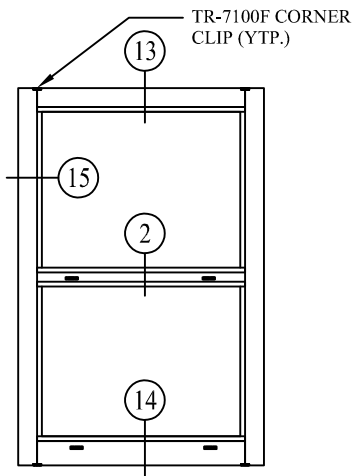
TR-7102

TR-7100

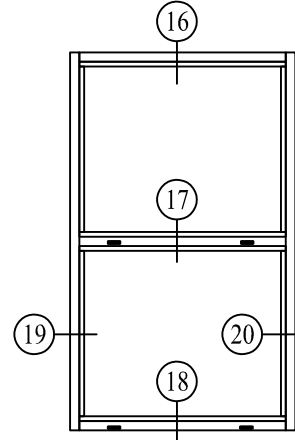
TR-7102

TR-7102

(EXTERIOR GLAZED A)



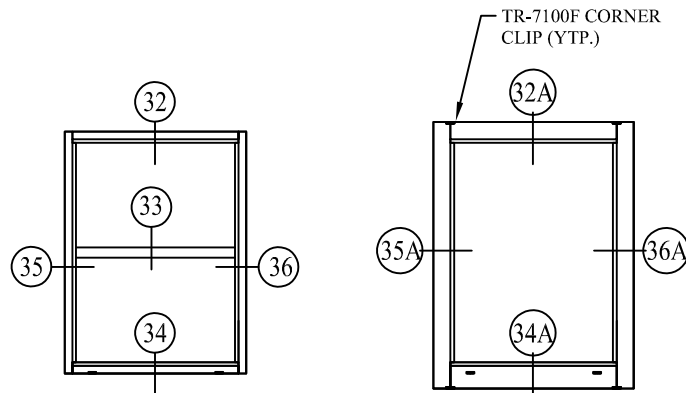
TR-7100F  
(FLANGE FRAME)



TR-7102  
(DUAL GLAZED)

SERIES TR-9500

4" DEPTH



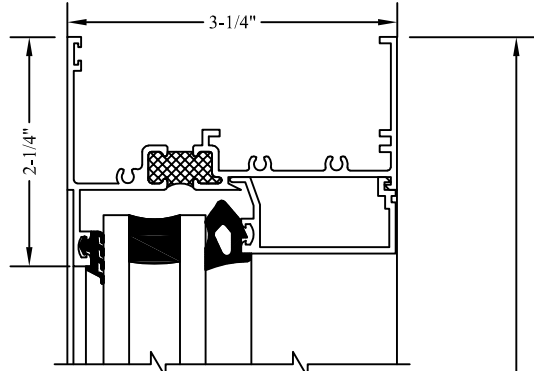
TR-9500

TR-9500F FLANGE FRAME  
(OPTIONAL)

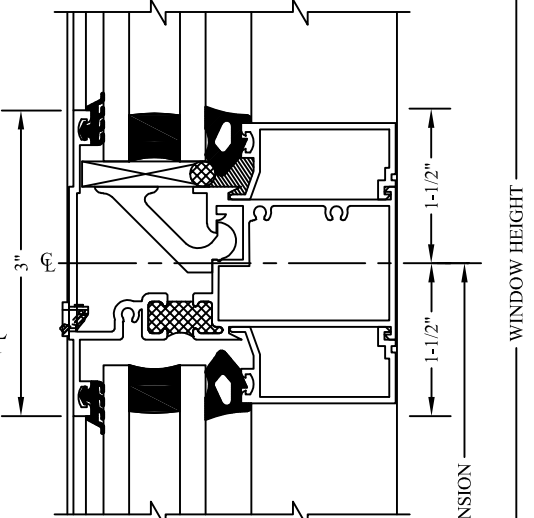
(REFER TO TR-9000 SECTION FOR  
ADDITIONAL DETAILS)

### Half Scale Sections

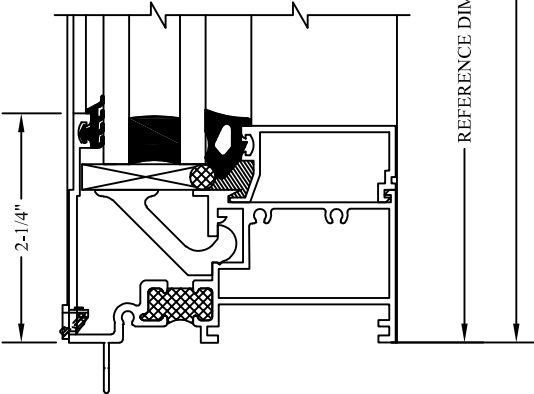
①  
HEAD



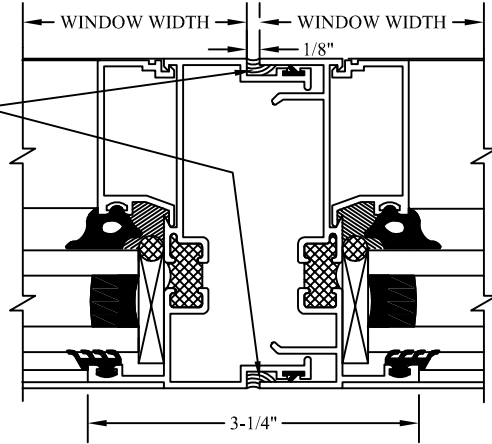
②  
HORIZ.  
INTEGRAL  
MULLION



③  
SILL

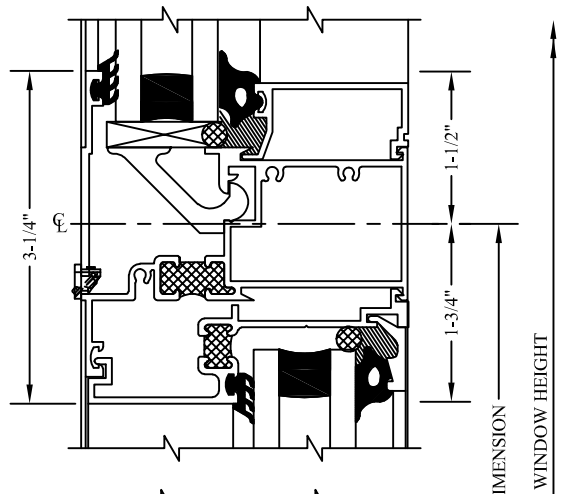


SEALANT  
BY OTHERS

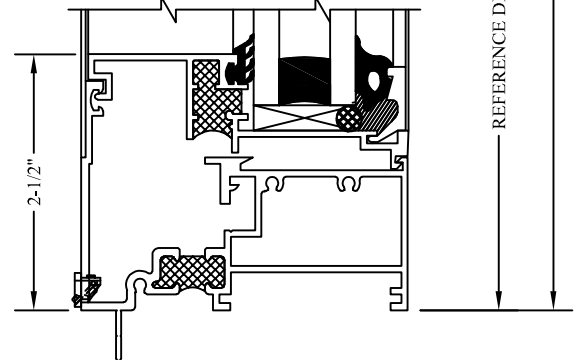


⑤  
EXPANSION VERTICAL

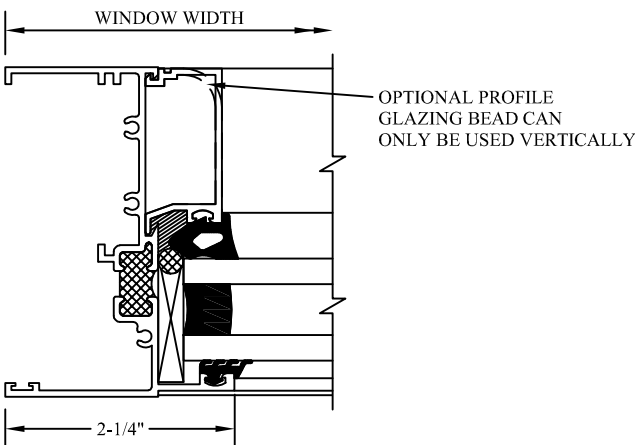
⑥  
HORIZ.  
INTEGRAL  
MULLION  
(OFFSET)



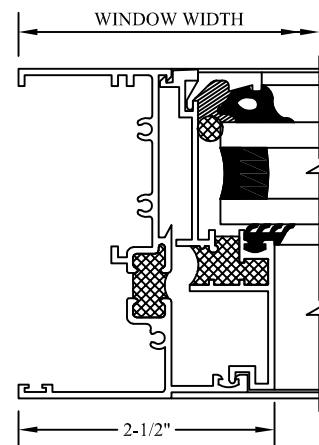
⑦  
SILL  
(OFFSET)



④  
JAMB

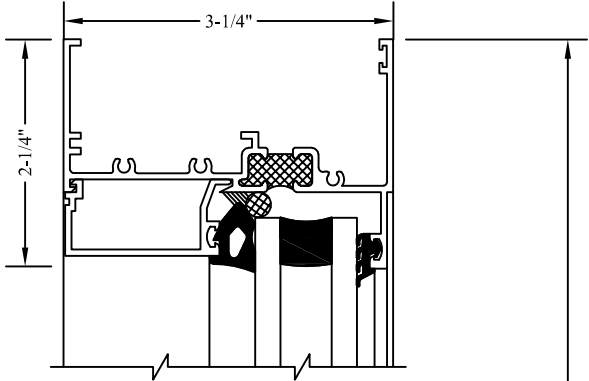


⑧  
JAMB  
(OFFSET)

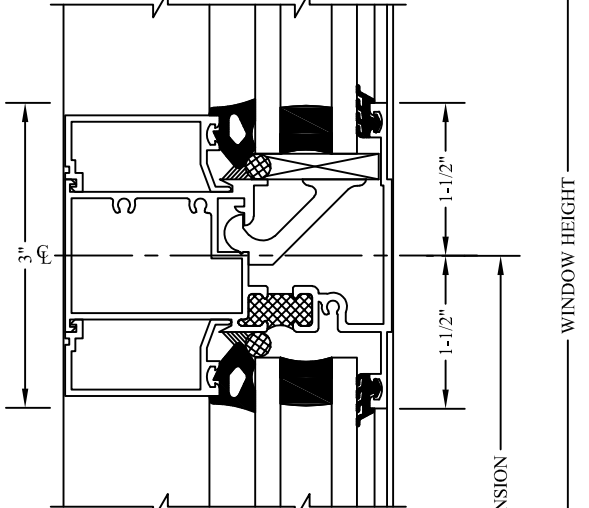


**Half Scale Sections**

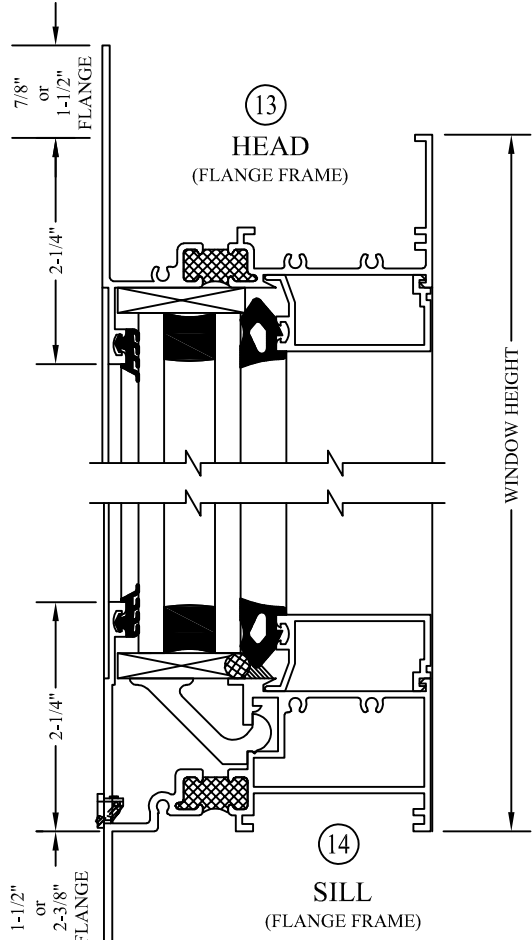
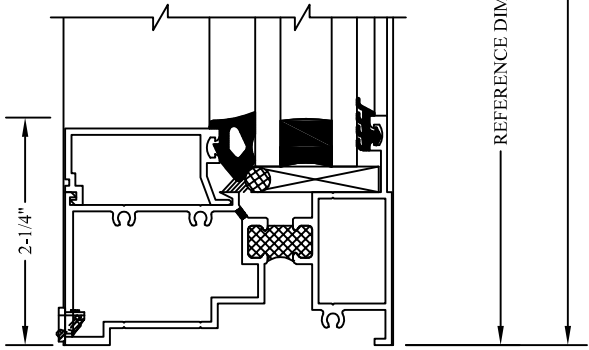
9  
**HEAD**  
(EXTERIOR  
GLAZED A)



10  
**HORIZ.  
INTEGRAL  
MULLION**  
(EXTERIOR  
GLAZED A)

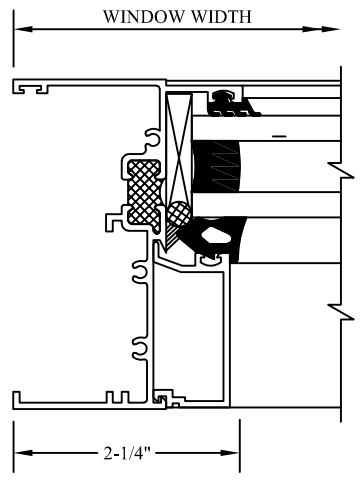


11  
**SILL**  
(EXTERIOR  
GLAZED A)

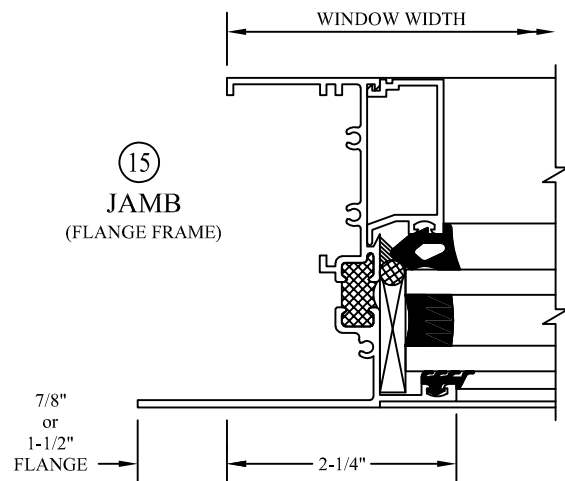


**NOTE: FLANGE FRAME CORNER  
BACKSEALING BY OTHERS**

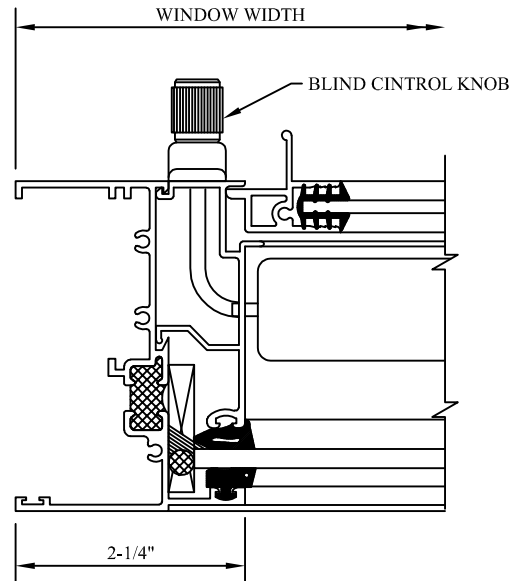
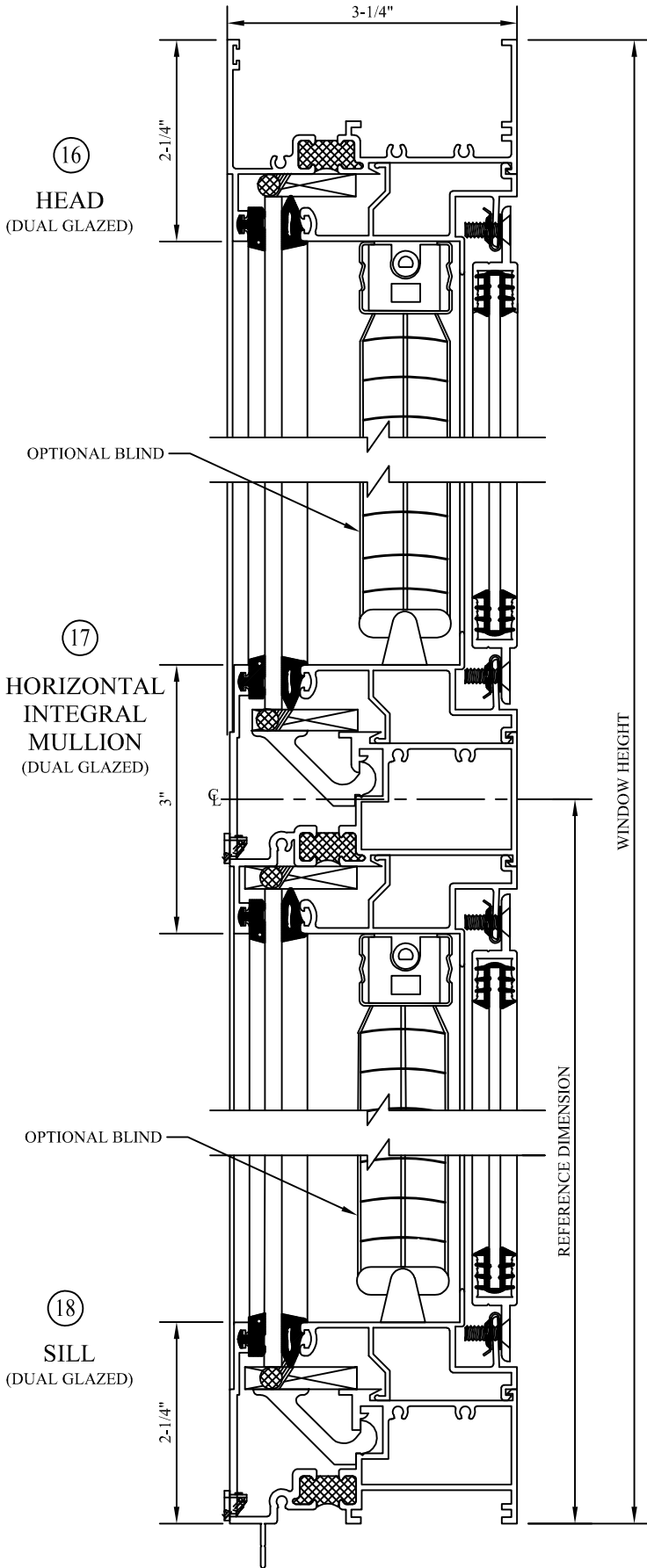
12  
**JAMB**  
(EXTERIOR  
GLAZED A)



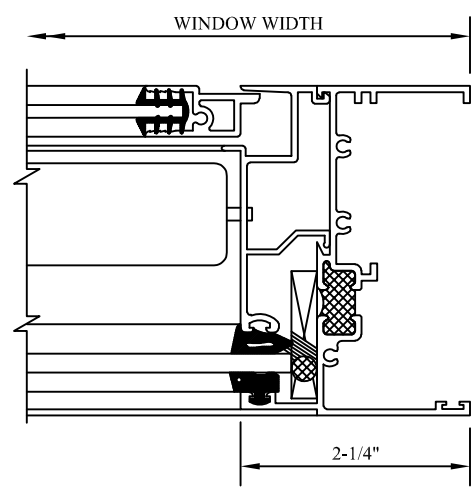
15  
**JAMB**  
(FLANGE FRAME)



**Half Scale Sections**

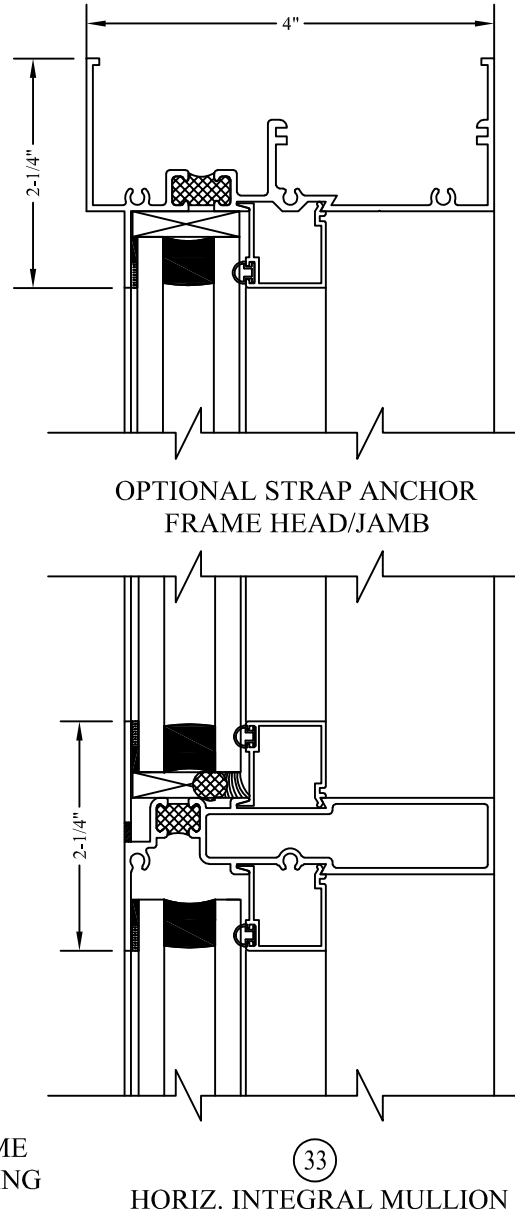
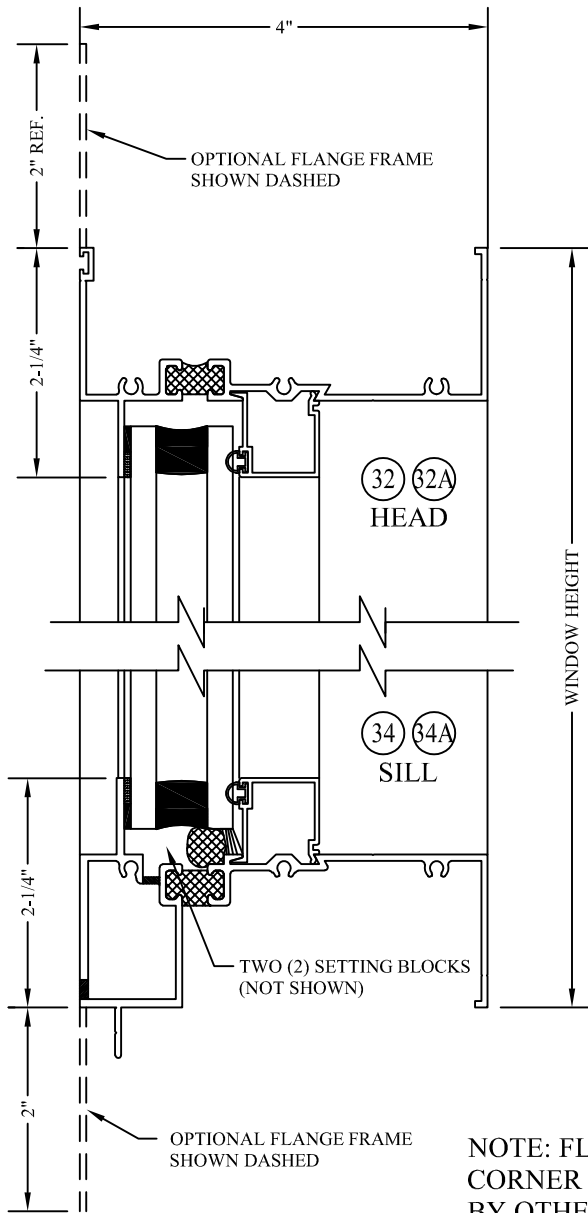


①⑨  
**KNOB JAMB**  
(DUAL GLAZED)



②⑦  
**PLAIN JAMB**  
(DUAL GLAZED)

### Half Scale Sections



NOTE: FLANGE FRAME  
CORNER BACKSEALING  
BY OTHERS

