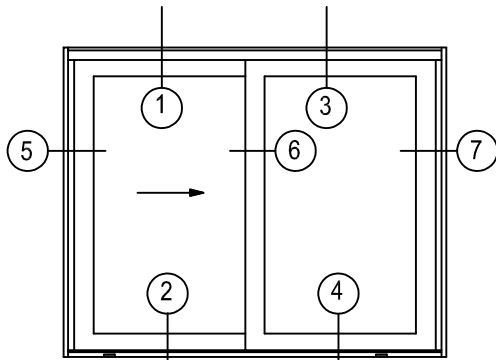
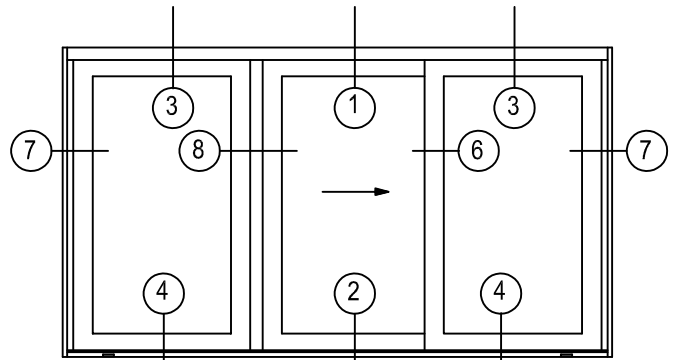


ELEVATIONS

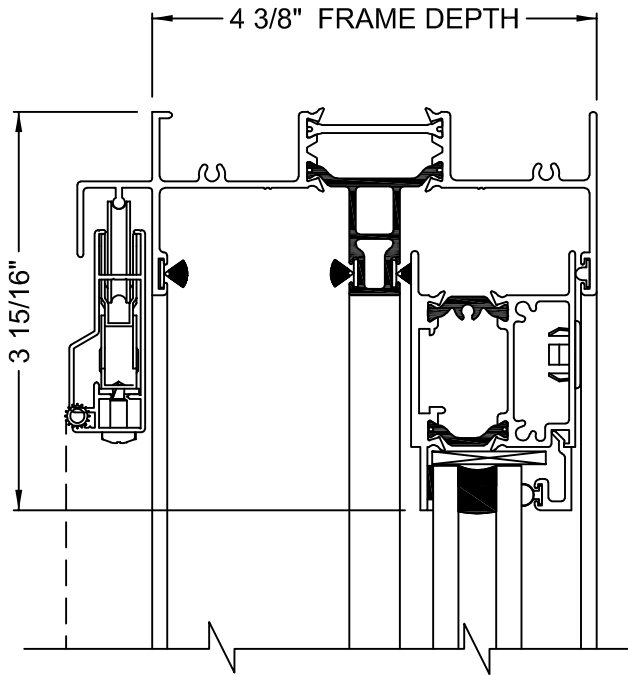


NX-840 (2 PANEL)
(XO SHOWN)

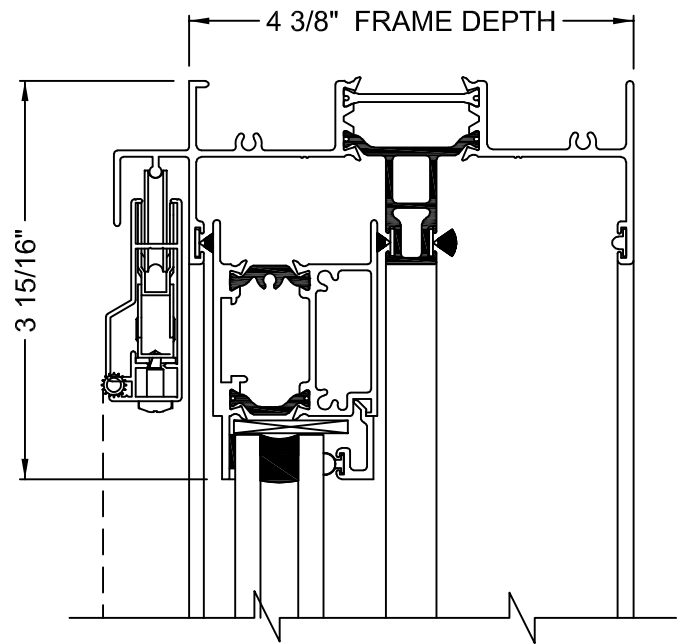


TR-840 (3 PANEL)
(OXO ONLY)
SLIDE RIGHT SHOWN
(SPECIFY SLIDE DIRECTION)

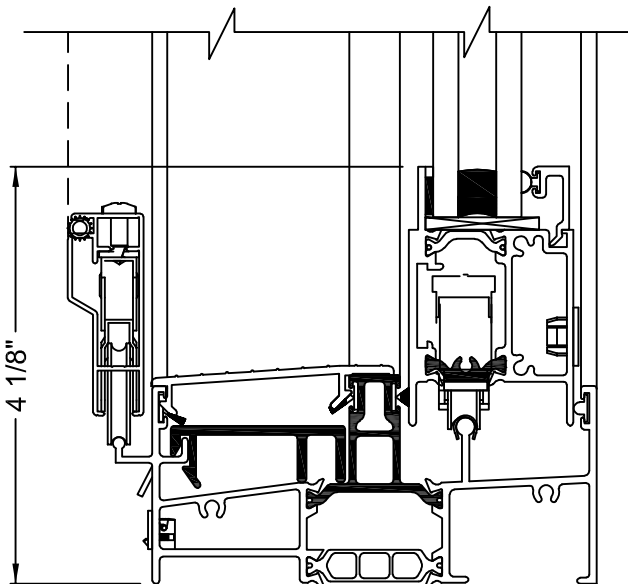
HALF SCALE SECTIONS



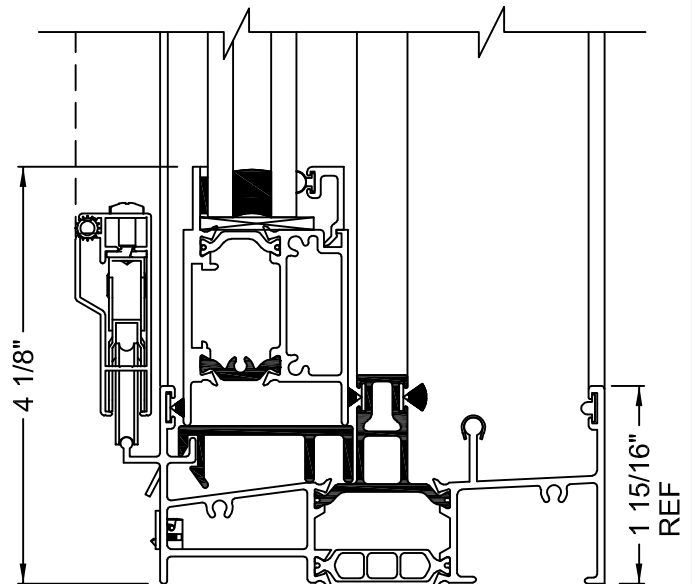
① OPERATING HEAD



③ FIXED HEAD



② OPERATING SILL

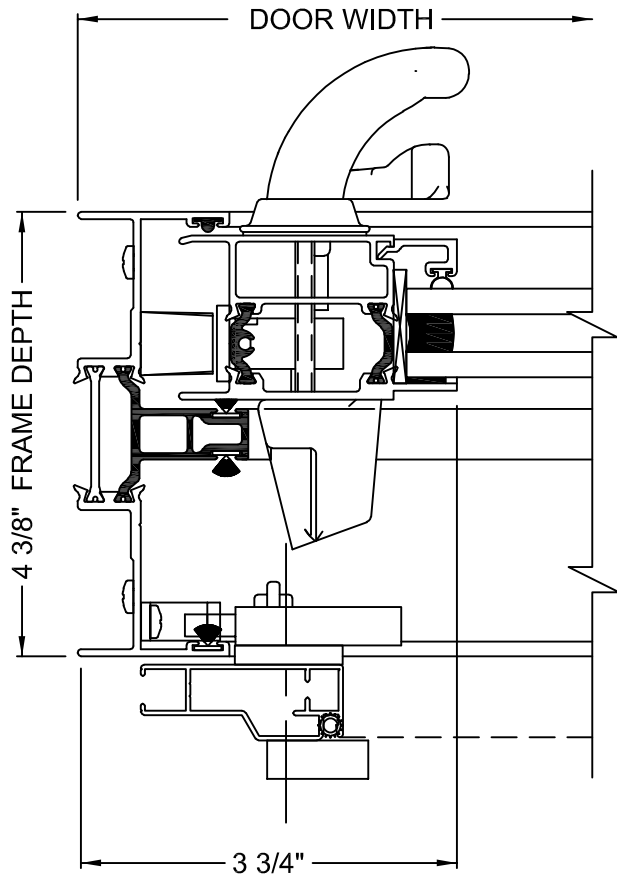


④ FIXED SILL

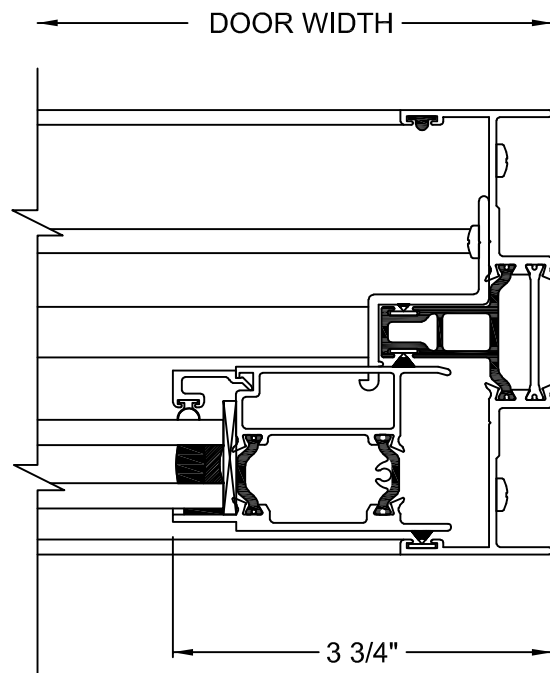
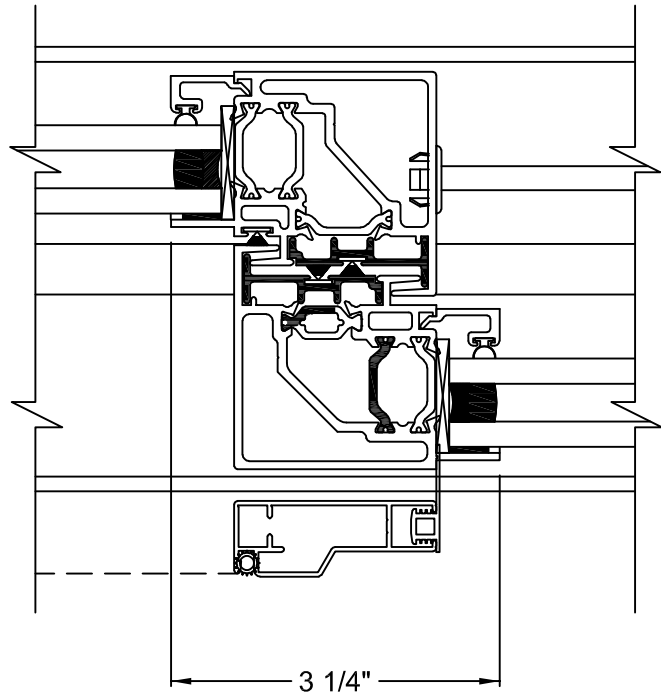
STANDARD 6.75 PSF SILL SHOWN
REFER TO PAGE 4 FOR OPTIONAL SILL

HALF SCALE SECTIONS

⑤ OPERATING JAMB

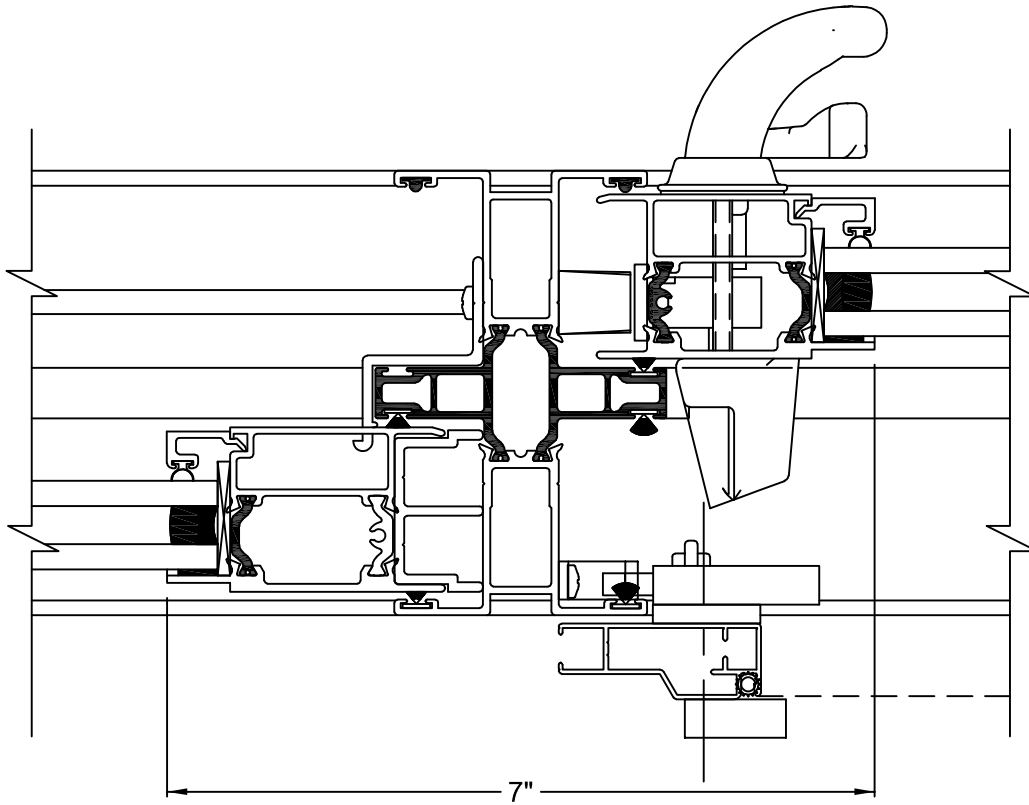


⑥ MEETING STILES

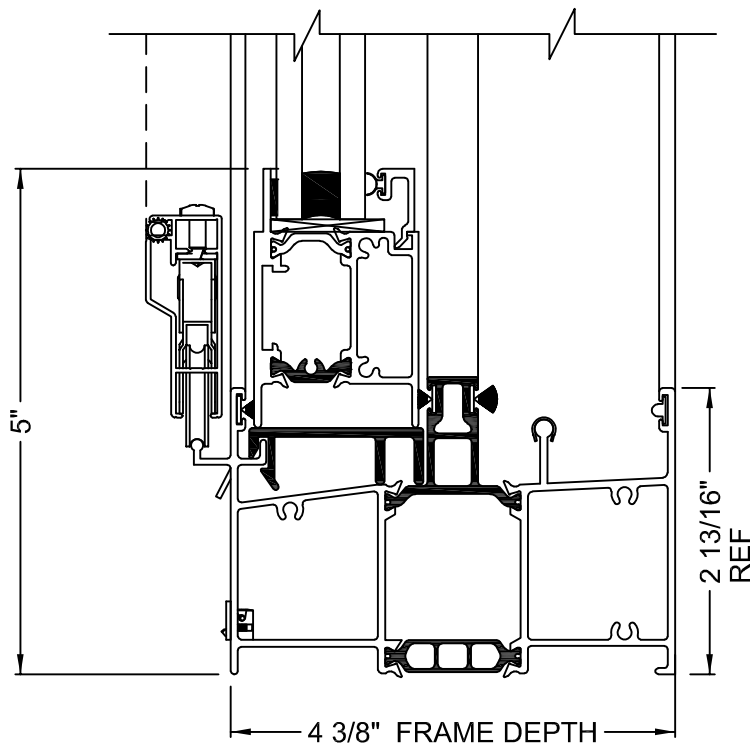


⑦ FIXED RIGHT JAMB

HALF SCALE SECTIONS



⑧ INTERMEDIATE MULLION



OPTIONAL 10 PSF SILL