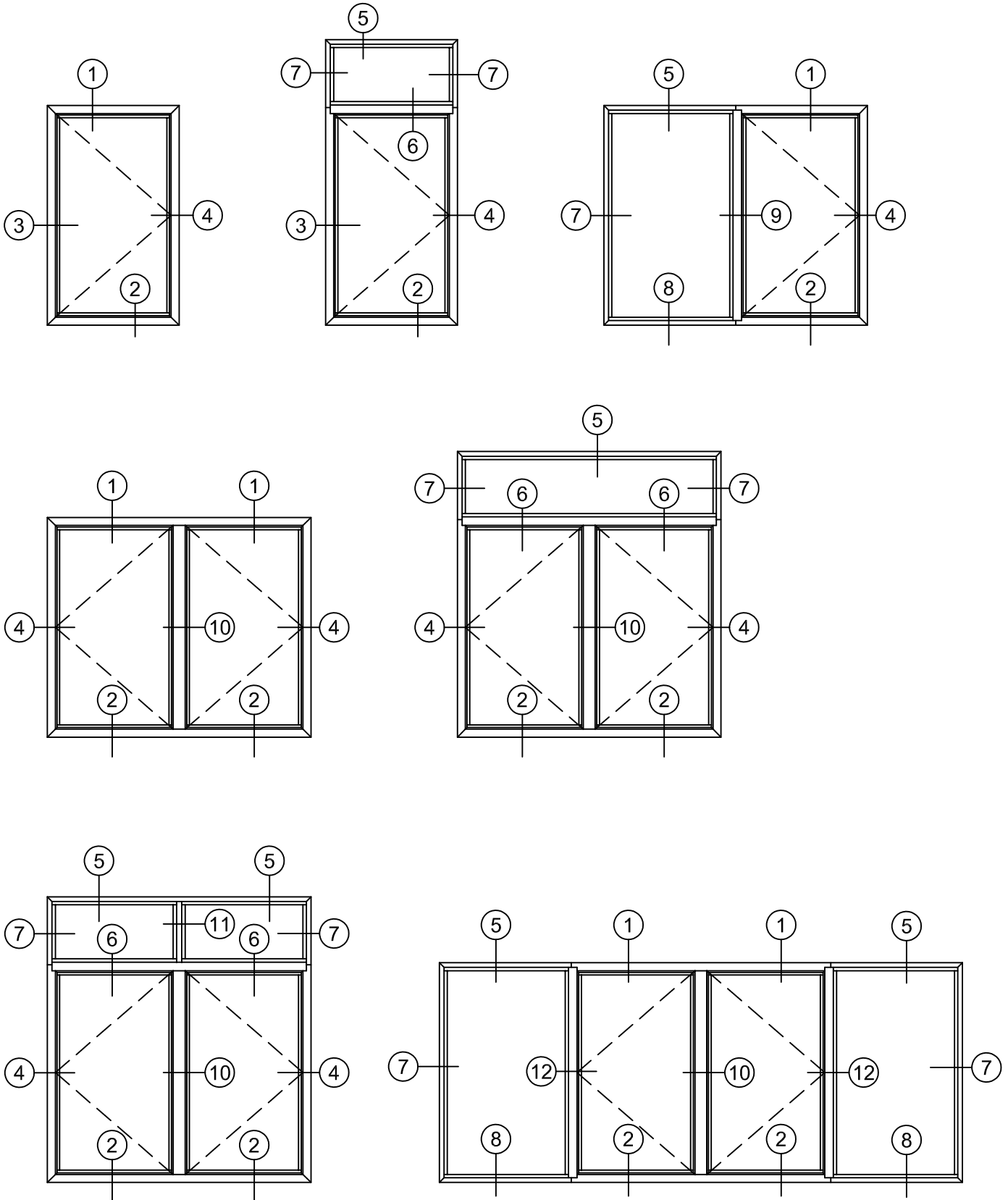
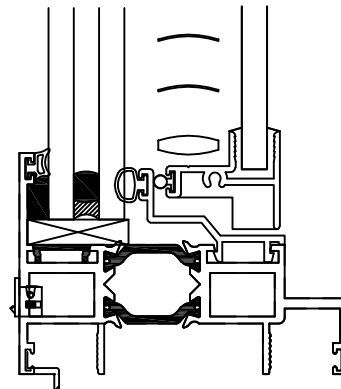
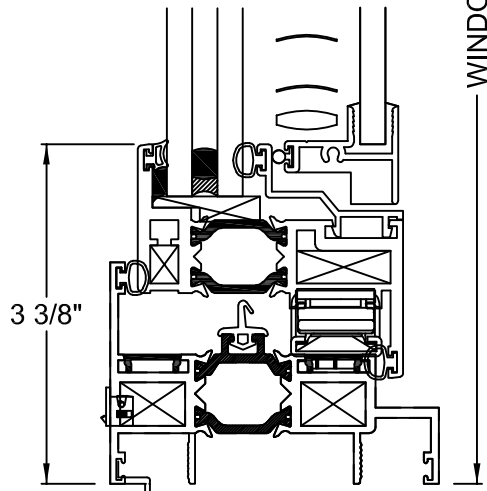
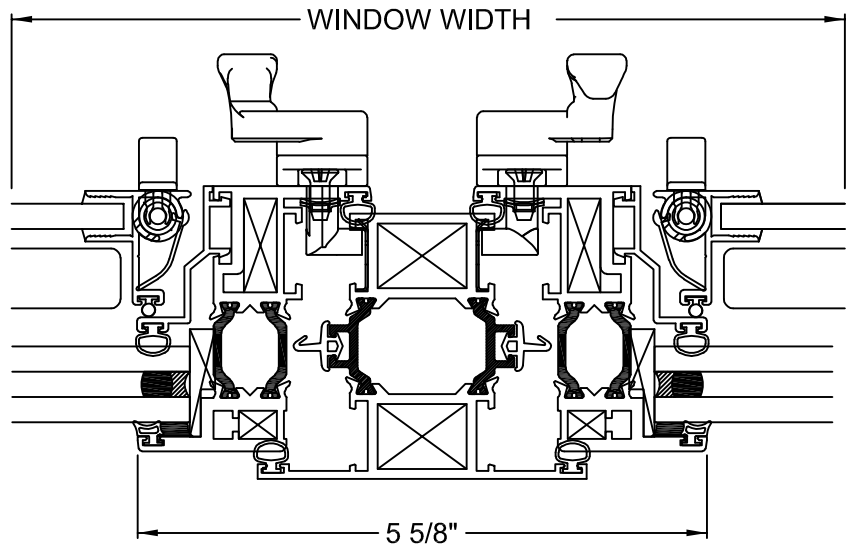
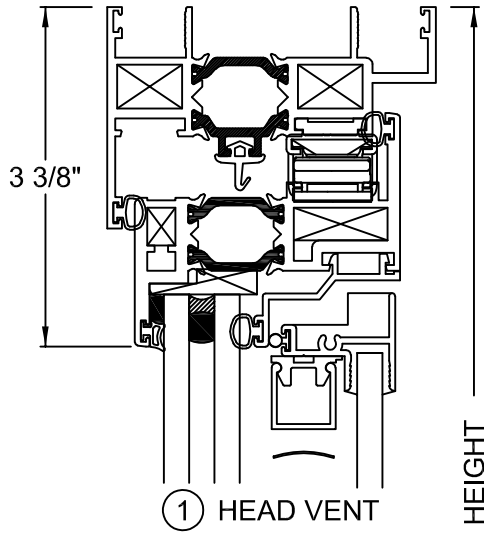


ELEVATIONS

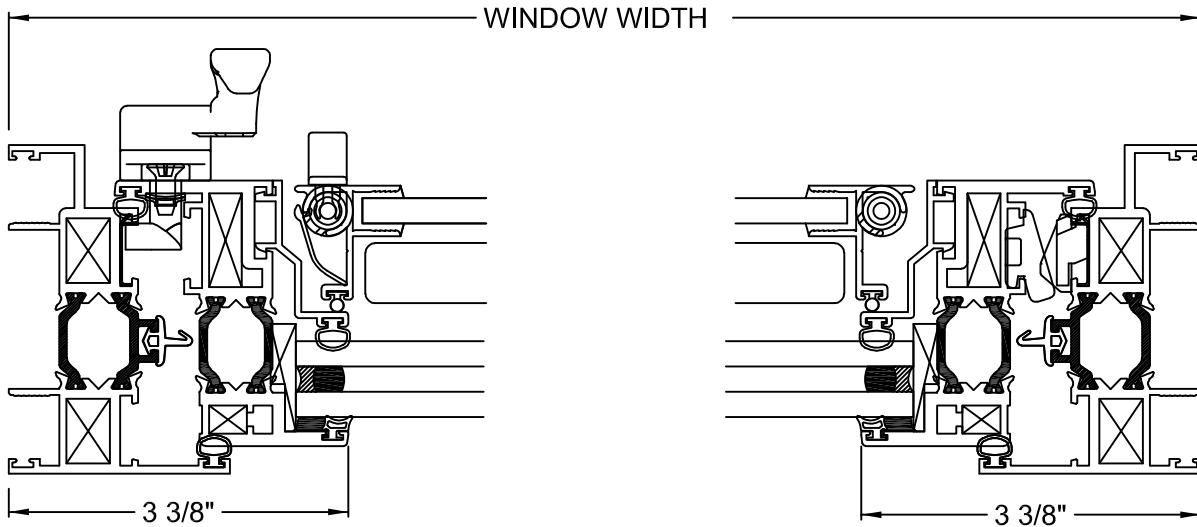
SERIES NX-3200
CASEMENT INSWING
WITH I3



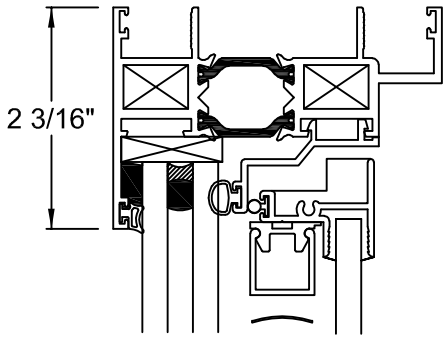
HALF SCALE DETAILS



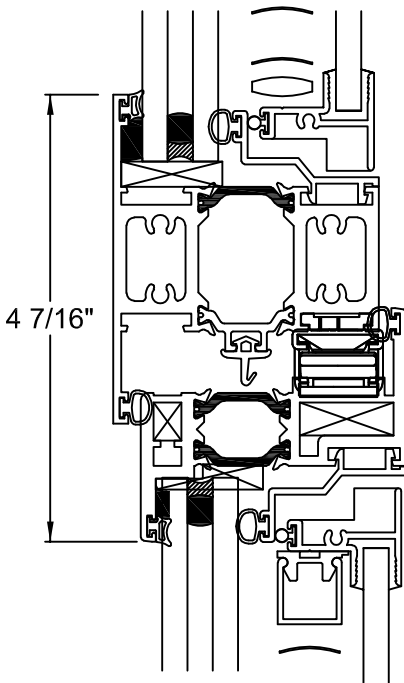
OPTIONAL
PANNING
LEG SILL



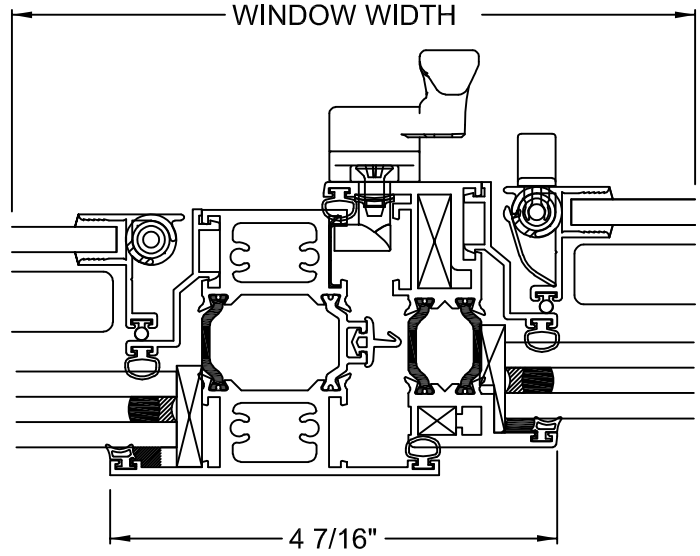
HALF SCALE DETAILS



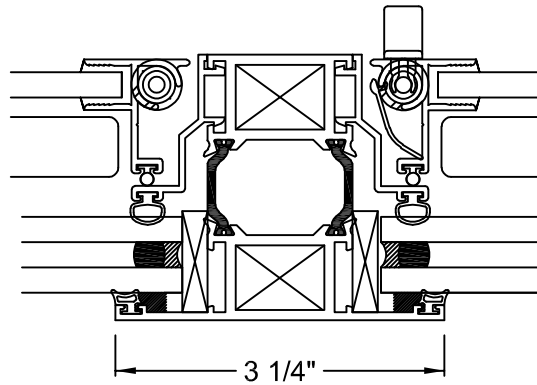
⑤ FIXED HEAD



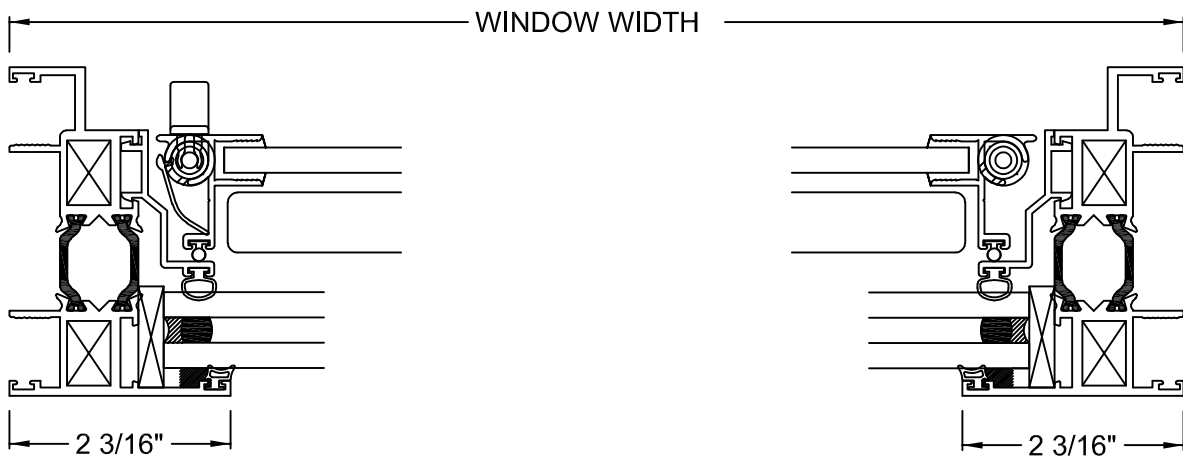
⑥ HORIZ. INTEGRAL MULLION



⑨ VERTICAL VENT/FIXED MULLION



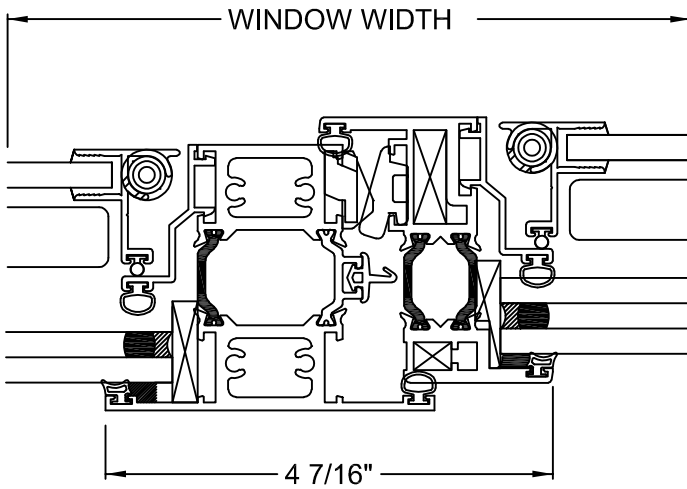
⑪ VERTICAL FIXED /FIXED MULLION



⑦ FIXED JAMB

⑦ FIXED JAMB

HALF SCALE DETAILS



⑫ VERTICAL FIXED/VENT MULLION