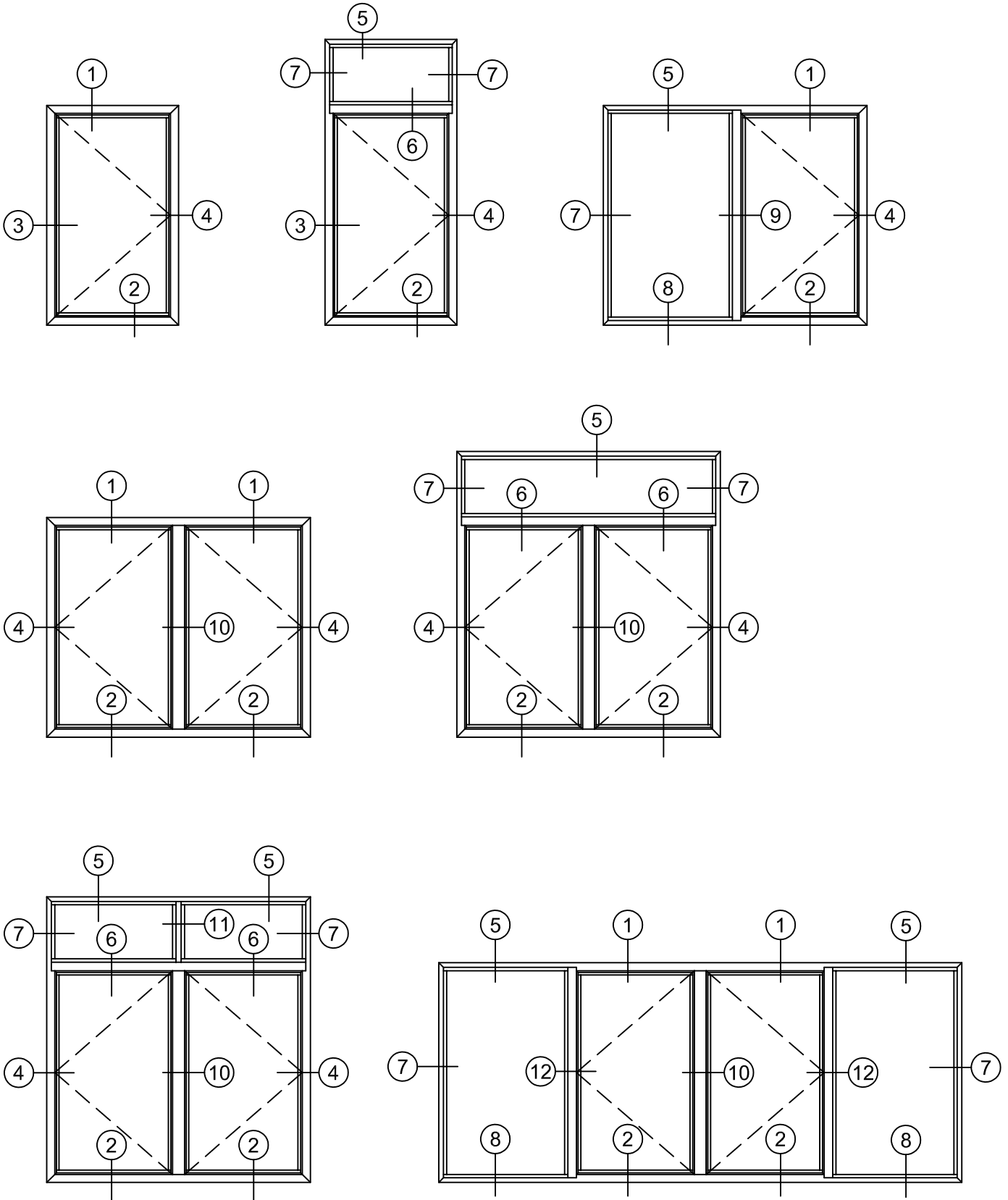
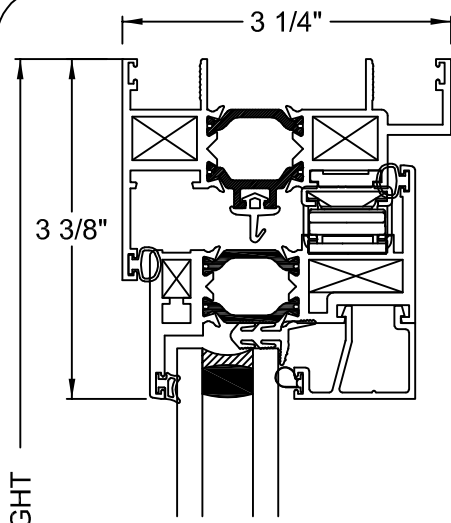


ELEVATIONS

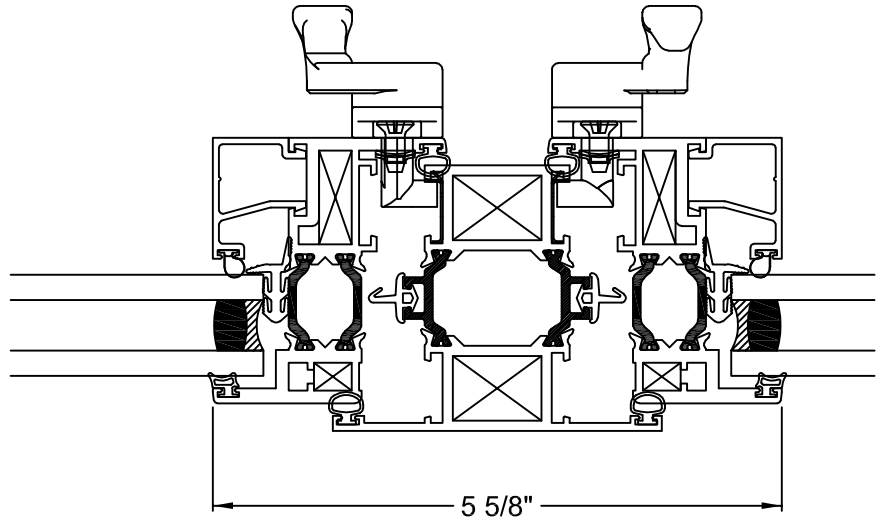
SERIES NX-3200DG
CASEMENT INSWING



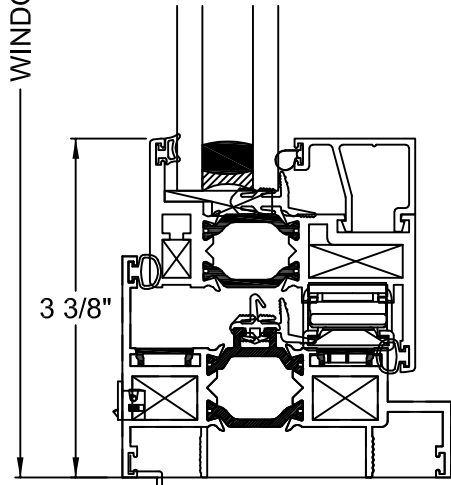
HALF SCALE DETAILS



① HEAD VENT

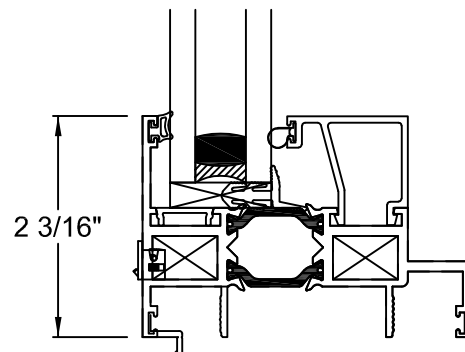


⑩ VERTICAL VENT/VENT MULLION



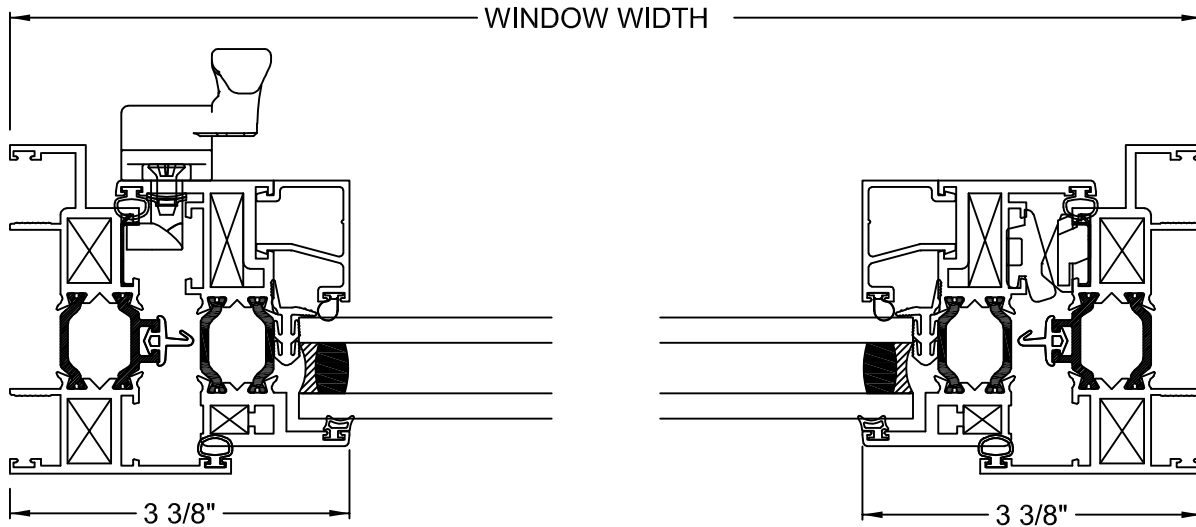
② SILL VENT

OPTIONAL
PANNING
LEG SILL

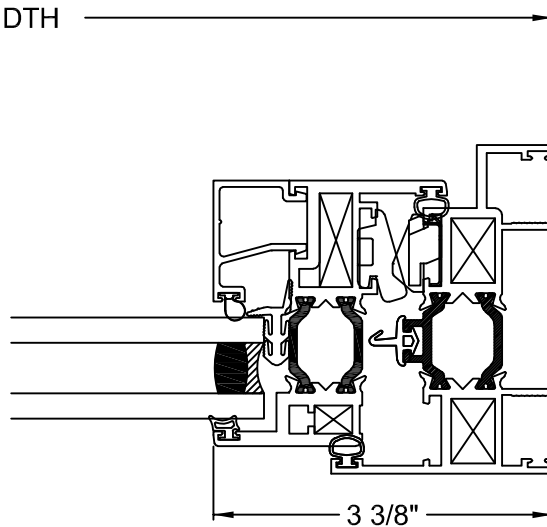


⑧ SILL FIXED

OPTIONAL
PANNING
LEG SILL

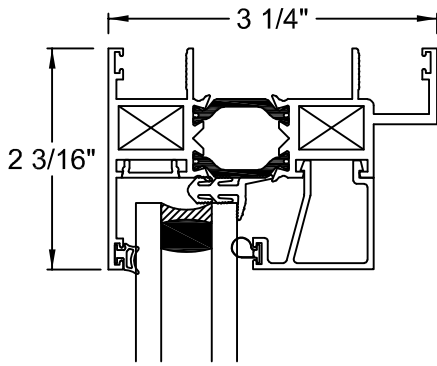


③ HANDLE JAMB

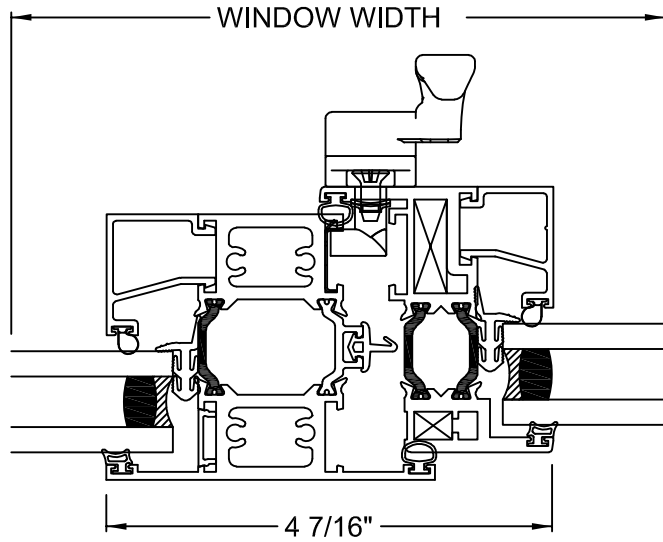


④ PIVOT JAMB

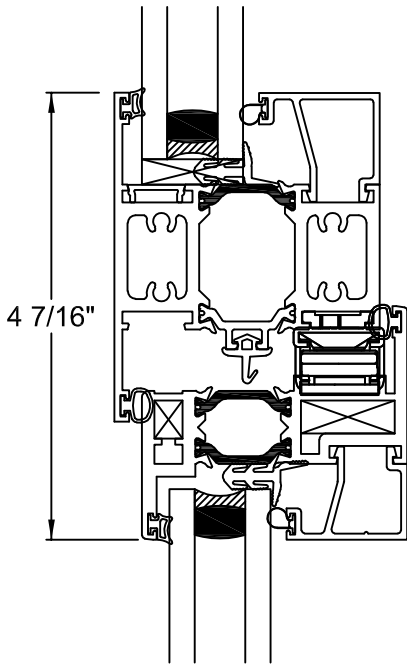
HALF SCALE DETAILS



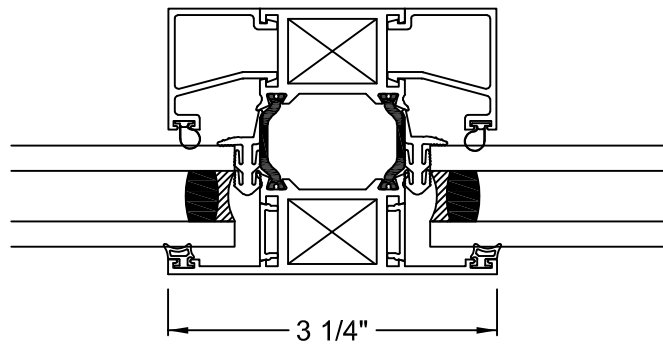
⑤ FIXED HEAD



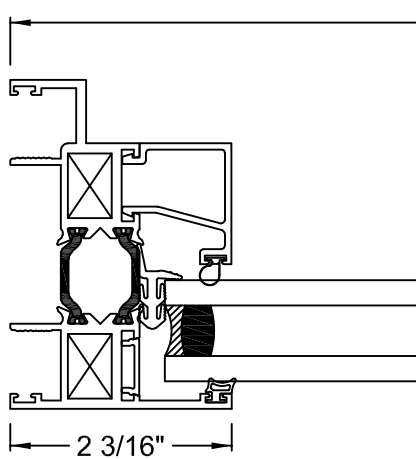
⑨ VERTICAL VENT/FIXED MULLION



⑥ HORIZ. INTEGRAL MULLION

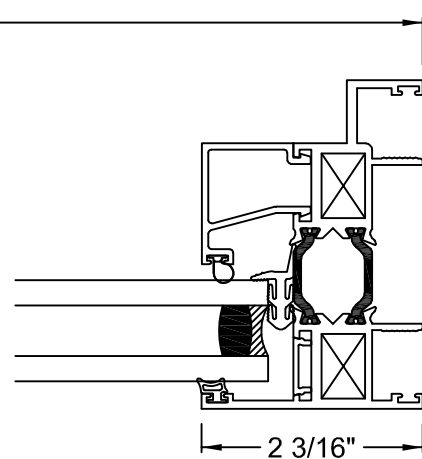


⑪ VERTICAL FIXED /FIXED MULLION



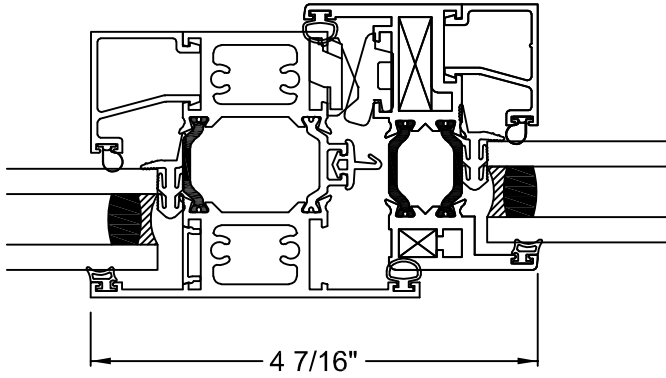
⑦ FIXED JAMB

WINDOW WIDTH



⑦ FIXED JAMB

HALF SCALE DETAILS



⑫ VERTICAL FIXED/VENT MULLION