



HEALTHCARE PRODUCT PORTFOLIO



Emergency Department at Bristol Hospital,
Bristol, Connecticut





BUILDING THE HEALTHCARE FACILITIES OF TOMORROW

Healthcare facilities play an essential role in our lives, from pediatrics to geriatrics and preventive medicine to trauma centers. Whether it is a hospital exterior, patient room or waiting area, Kawneer's extensive portfolio of aluminum solutions shapes a conducive healing environment for patients and caregivers. Our façades enhance occupant comfort, health and well-being, while improving the thermal performance and aesthetics of healthcare facilities.

Kawneer's aluminum systems maximize natural daylight and ventilation, positively influencing sleep and the healing process. Sun control products promote thermal comfort for both patients and healthcare professionals by reducing solar heat gain and thermal transmission. Kawneer's high-performing products reduce noise transfer to create quieter, more restful spaces.



LASTING PROTECTION FOR THOSE WHO NEED IT MOST

Kawneer's groundbreaking product portfolio delivers durability and strength to maximize performance year-round. Many of our products are hurricane and blast-resistant to protect patients, caregivers and families, ensuring continued care even in extreme conditions. Our entrances are engineered for robustness and security, providing user-controlled access and quick escape routes in emergencies.



AdventHealth Carrollwood
Emergency Department Expansion,
Tampa, Florida



Cleveland Clinic Indian River Hospital,
Scully-Welsh Cancer Center,
Vero Beach, Florida

FOCUS ON SUSTAINABILITY

Kawneer is committed to minimizing our environmental impact. We use a minimum of 40% recycled content in our products and monitor the impact of every product's lifecycle.

We provide product transparency to architects and designers. From our Environmental Product Declarations (EPDs) and Kawneer Material Transparency Summaries (MTS) to the Cradle to Cradle Certified® Products Program and Declare labels, we care about how our products shape the healthcare environment for generations to come. We've lowered our carbon footprint across all products over the last five years. Our 1620 and 1620UT Curtain Wall Systems now have Declare labels disclosing that they are Red List free.

We will continue to engineer value-added solutions for the healthcare sector and enable architects and designers to create sustainable buildings that reduce energy, cost and environmental impact.

HEALTHCARE FACILITIES MADE HEALTHIER WITH KAWNEER

Learn how our extensive range of aluminum system solutions can be utilized in healthcare settings.

GLASSVENT® UT (ULTRA-THERMAL) WINDOWS

Durable and designed to perform, the combination of our ADA-compliant operators delivers improved accessibility and ventilation for occupants.

VERSOLEIL® SUNSHADE - SINGLE BLADE SYSTEM

The Versoleil® SunShade Single Blade System for Curtain Wall is a sunshade system pre-engineered for multiple Kawneer curtain wall systems. Versatile in form and function, the single blade system is highly configurable and designed to provide shading and energy-saving potential.

1600UT SYSTEM™1 CURTAIN WALL

With increasing energy costs and stringent code requirements, building owners, architects and glaziers need high-performing products that help them stay up to date on codes. Kawneer's 1600UT System™1 Curtain Wall is an ultra-innovative solution that raises the standards for pre-engineered performance.

VERSOLEIL® SUNSHADE- OUTRIGGER

The Versoleil™ SunShade Outrigger System is a sunshade system pre-engineered for multiple Kawneer curtain wall systems. The system reduces solar heat and creates optimal temperatures for patient and caregiver comfort. With energy-saving potential, the sunshade system can help reduce the overall operating costs of healthcare facilities.

190 STANDARD ENTRANCE

Built to make a good first impression, the 190 Standard Entrance is both tough and attractive. Slim in appearance, the 190 Standard Entrance can withstand the rigors of moderate traffic.

250T/350T/500T INSULPOUR® THERMAL ENTRANCES

Featuring IsoPour™ Technology, 250T/350T/500 Insulpour® Thermal Entrances provide a thermally broken assembly with high structural performance and dual finish capabilities – an ideal solution for thermal control and door hardware flexibility required in healthcare facilities.

INFRAME® INTERIOR FRAMING SYSTEM

The InFrame® Interior Framing System easily integrates with Kawneer entrances and allows light to fill the interior of a space. Transitioning seamlessly from fixed framing to operable doors and providing enhanced design flexibility, wrap-around perimeter profiles deliver clean lines and eliminate the need to finish drywall terminations.

2500 UT UNITWALL® SYSTEM

The 2500 UT Unitwall® System provides ultra-thermal performance levels in a cost-effective, unitized curtain wall system. One-piece polyamide thermal breaks reduce the amount of metal used in the assembly process and the time needed to assemble the unit.

INLIGHTEN® INTERIOR LIGHT SHELF

Reduce the need for artificial light with the InLighten® Interior Light Shelf. The panels can be built in depths up to 30" to reflect more sunlight into patient rooms to improve the mood and comfort of patients and enhance the healing process.

1600 SS CURTAIN WALL

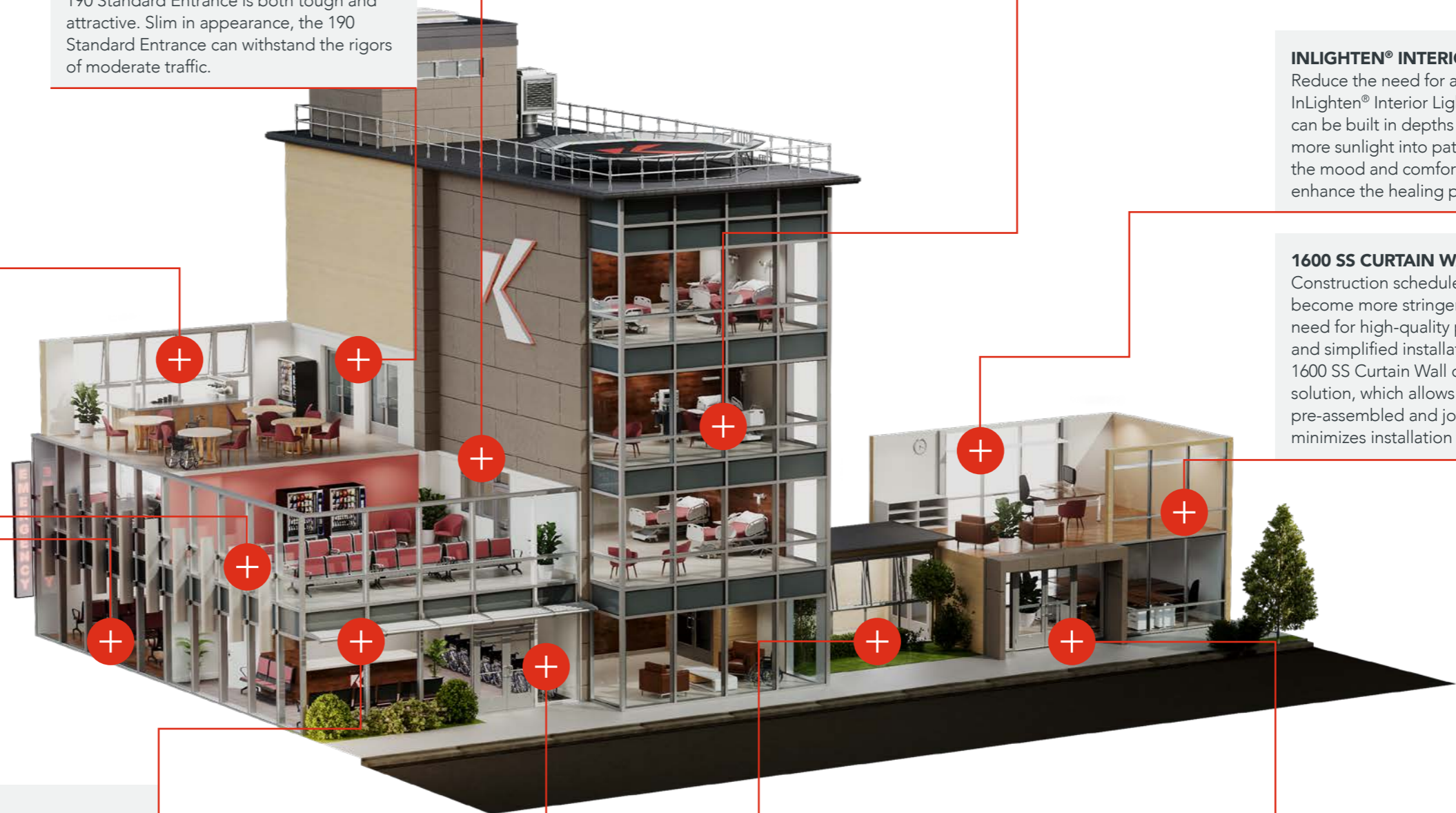
Construction schedules and budgets have become more stringent, increasing the need for high-quality products with a rapid and simplified installation process. The 1600 SS Curtain Wall offers a screw spline solution, which allows it to be pre-glazed, pre-assembled and joint-sealed. This minimizes installation time on site.

TRIFAB® VERSAGLAZE® 451UT/451/451T FRAMING SYSTEM

The Trifab® VersaGlaze® 451UT/451/451T Framing System is designed for the most demanding thermal performance requirements. The framing system is highly regarded for standout acoustic performance and provides optimal interior conditions for restful patient recovery.

350/500 HEAVY WALL™ ENTRANCES

Engineered to withstand the rigors of moderate to heavy foot traffic of busy hospitals, the 350/500 Heavy Wall™ Entrance is durable and complements both classic and contemporary architectural styles.



HIGHLANDS ONCOLOGY CLINIC, SPRINGDALE, ARKANSAS

PROVIDING PATIENTS WITH A BRIGHTER OUTLOOK

FEATURED PRODUCTS

- Trifab® VersaGlaze® 451T Framing System
- Versoleil® SunShade - Single Blade System

AT A GLANCE

The Trifab® VersaGlaze® 451T Framing System enhances interior environments with energy-efficient custom lighting solutions and standout acoustic performance.

Kawneer's Versoleil® SunShade - Single Blade System for Curtain Wall helps to optimize energy efficiencies and maximize sun control.

OTHER PRODUCTS USED IN THIS PROJECT:

- 350 Medium Stile Standard Entrances
- Trifab® VersaGlaze® 450 Framing System (Interior frames)
- 1600 Wall System®1 Curtain Wall

THE PRODUCTS IN PLACE

Highlands Oncology is a state-of-the-art oncology clinic in Springdale, Arkansas. The 12-story, 125,000-square-foot facility houses multiple disciplines and services for cancer patients, including imaging and lab work, exam rooms, chemotherapy treatment rooms, administrative space, a chapel and a cafe.

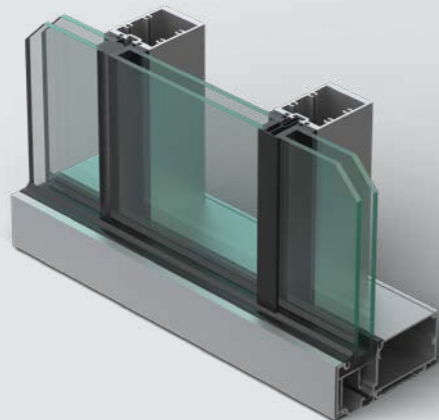
The facility is designed to maximize natural light. The 1600 Wall System®1 Curtain Wall combined with the Trifab® VersaGlaze® 451T Framing System promotes an abundance of daylight for patient and caregiver spaces to improve moods and enhance the healing process. Single blade Versoleil® SunShades maintain thermal efficiency and regulate indoor temperature year-round.



TRIFAB® VERSAGLAZE® 451T FRAMING SYSTEM

Key benefits:

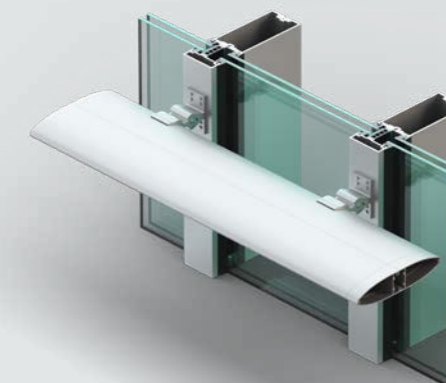
- 2" (50.8mm) sightline
- 4-1/2" (114.3mm) depth
- High thermal performance
- Front, Center, Back or Multi-Plane glass applications
- Blast mitigation (451T) and hurricane resistance
- Structural silicone glazed (SSG) options and pre-glazed options



VERSOLEIL® SUNSHADE - SINGLE BLADE SYSTEM

Key benefits:

- 6" (152.4mm) to 14" (355.6mm) depth
- Compatible with curtain walls
- Variable blade and angle options
- Potential Leadership in Energy and Environmental Design (LEED) credits



THE MEDICAL CENTER OF THE ROCKIES, LOVELAND, COLORADO

A POSITIVE SPACE THAT PROMOTES HEALING AND WELL-BEING

FEATURED PRODUCTS

- 1600 Wall System®1 Curtain Wall
- InLighten™ Light Shelf
- GLASSvent® Windows

AT A GLANCE

Kawneer's 1600 Wall System®1 Curtain Wall/1600 Wall System®2 Curtain Wall systems are stick fabricated, pressure glazed curtain wall for low- to mid-rise applications.

InLighten® Interior Light Shelf leverages minimal material content, sightlines, weight, installation and maintenance efforts all while maximizing value, daylighting and design options.

GLASSvent™ Windows provide fresh-air ventilation without sacrificing thermal performance in curtain wall or storefront applications.

THE PRODUCTS IN PLACE

LEED Gold®-certified, The Medical Center of the Rockies shows how sustainable design simultaneously enhances energy efficiency and patient well-being. 1600 Wall System®1 Curtain Wall, Versoleil® SunShade - Outrigger System and InLighten™ Interior Light Shelf were used for the grand atrium. This combination of products reduces solar heat gain and bounces indirect light into the atrium to reduce energy costs and maximize daylighting.

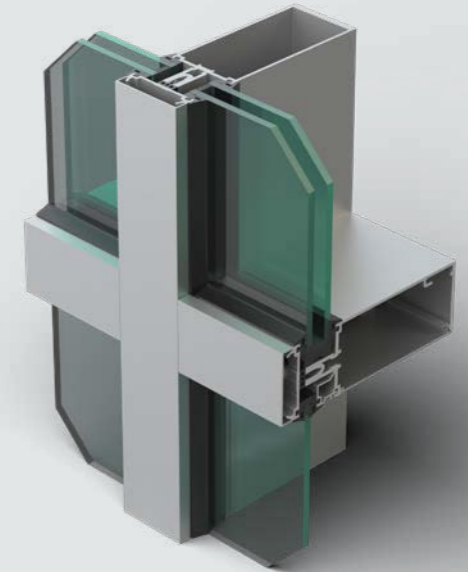
GLASSvent® Windows were integrated into an inside-glazed ribbon window and curtain wall system for patient rooms. The oversized windows in the rooms create an open, airy setting with abundant natural light and encourage ventilation without sacrificing thermal performance.

OTHER PRODUCTS USED IN THIS PROJECT:

- Versoleil® SunShade - Outrigger System
- Custom 350 Medium Stile Entrances

1600 WALL SYSTEM®1 CURTAIN WALL**Key benefits:**

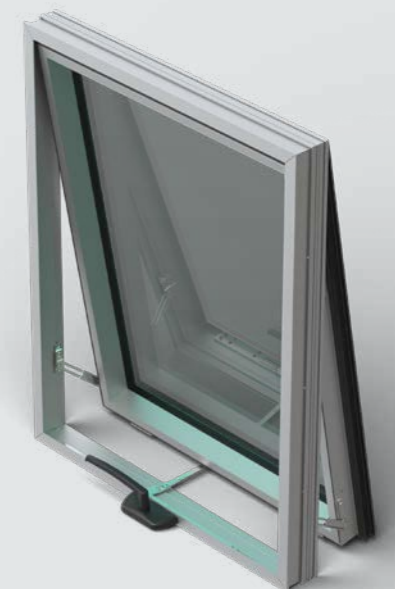
- 2-1/2" (63.5mm) sight line
- 6" (152.4mm), 7-1/2" (190.5mm) or 10-1/2" (267mm) depth
- Thermal performance
- Low- to mid-rise applications
- Blast mitigation and hurricane resistance

**INLIGHTEN™ INTERIOR LIGHT SHELF****Key benefits:**

- Variable depths up to 30" (762mm)
- Tilt feature for easy cleaning of reflective surface
- Compatible with curtain walls and storefront framing
- Translucent polycarbonate or opaque aluminum composite (ACM) panel options
- Potential Leadership in Energy and Environmental Design (LEED) credits

**GLASSVENT® WINDOWS****Key benefits:**

- 2-11/16" (68.3mm) or 3-7/16" (87.3mm) depth
- Architectural window (AW)
- Thermal performance
- Casement or projecting configuration
- Blast mitigation



The Medical Center of the Rockies,
Loveland, Colorado



Shorb Tower at Methodist University Hospital,
Memphis, Tennessee



SHORB TOWER AT METHODIST UNIVERSITY HOSPITAL, MEMPHIS, TENNESSEE

ELEVATING PATIENT CARE

FEATURED PRODUCTS

- 2500 UT Unitwall® System
- Versoleil® SunShade – Outrigger System

AT A GLANCE

Kawneer's 2500 UT Unitwall® System delivers ultra-thermal performance in a unitized curtain wall system.

Versoleil® SunShade – Outrigger System helps buildings meet energy requirements and maximize sun control.

OTHER PRODUCTS USED IN THIS PROJECT:

- 2500 PG Wall® Curtain Wall System
- 1600 Wall System®1 Curtain Wall
- 1600 Wall System®2 Curtain Wall
- 1600 Wall System®5 Curtain Wall (Screw Spline Type A) 350 Medium Stile Doors
- GLASSvent® Windows

THE PRODUCTS IN PLACE

Methodist University Hospital constructed Shorb Tower, a state-of-the-art 450,000-square-foot patient tower, and renovated an additional 95,000 square feet to improve patient care in Memphis and neighboring communities. By using modern technology, the nine-story tower consolidated departments and services and made them more accessible for patients and their families. In addition to 18 operating rooms - three of which are dedicated to transplants - and larger patient rooms, the tower also features a café, reflection room, two gardens and a roof patio.

Shorb Tower was built on a tight schedule and compact construction site while prioritizing the comfort, healing and productivity of the occupants. Pre-glazed 2500 UT Unitwall® Systems offered shop fabrication for fast installation and minimal disruption of the existing emergency department. A 2500 UT Unitwall® System offers superior thermal performance while integrating curtain wall systems to maximize natural light, optimize the healing process and improve the moods of patients and caregivers. Further ensuring occupant comfort, the Versoleil® SunShades reduce solar heat gain within the space.

2500 UT UNITWALL® SYSTEM

Key benefits:

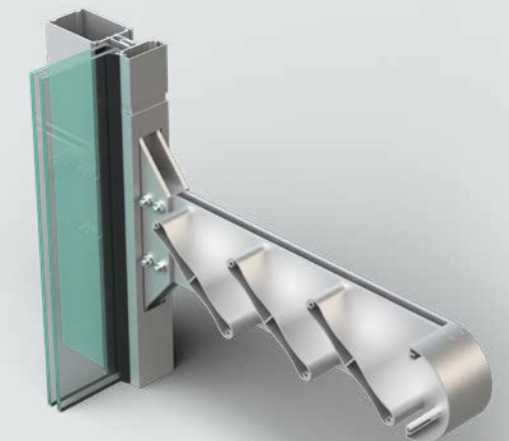
- 2-1/2" (63.5mm) sightline
- Standard infill options: 1/4" (6.4mm), 1" (25.4mm) and 1-3/4" (44.5mm)
- 7-1/2" (190.5) captured and 6-1/2" (165.1mm) 4-sided SSG/SGT depth in 1" (25.4mm) infill
- 8-1/4" (209.6) captured and 7-1/4" (184.2mm) 4-sided SSG/SGT depth in 1-3/4" (44.5mm) infill
- Ultra-thermal performance
- Mid- to high-rise applications
- Seismic (AAMA 501.4 and 501.6 standards)



VERSOLEIL® SUNSHADE - OUTRIGGER SYSTEM

Key benefits:

- 30" (762mm) or 36" (914.4mm) depth
- Compatible with curtain walls
- Variable blade options
- Potential Leadership in Energy and Environmental Design (LEED) credits



The Medical Center of the Rockies,
Loveland, Colorado



To discover how architectural aluminum products can transform your next healthcare project, get in touch with your Kawneer sales representative today.

To find out more, visit: [kawneer-healthcare.com](https://www.kawneer-healthcare.com)

KAWNEER COMPANY, INC.

FORM 22-2353
2022

Kawneer North America
555 Guthridge Court
Technology Park/Atlanta
Norcross, GA 30092

www.kawneer.com

+ 1 770 449 5555

 **KAWNEER**

Building
Legacies