

## **Features**

- Minimalist design which can attach to multiple Kawneer Curtain Wall and Storefront\* systems
- Available in depths up to a maximum projection of 30 inches (762 mm) and a maximum span of 72 inches (1,828mm)
- ACM panel (4 mm) thick aluminum composite material or translucent polycarbonate panel, (4 mm/16 mm) thick panel options are standard
- Innovative design allows panels to be tilted for care and cleaning
- Simplified installation and panel hanging operation
- Standardized corner design creates seamless product visual without sacrificing performance
- Designed to avoid interference with installation or operation of typical window treatments
- Thoroughly engineered using advanced finite element analysis (FEA) modeling techniques and physical testing
- Qualifies for up to three LEED categories
- Extruded components can be painted or anodized

## **Product Applications**

- Ideal for improving daylighting in Schools, Hospitals, Retail Locations, Offices, Banks, and Restaurants
- Can be applied to both new or retrofit projects

\*Exclusions apply, please see page 4 for details.

For specific product applications,  
Consult your Kawneer representative.

Laws and building and safety codes governing the design and use of glazed entrance, window, and curtain wall products vary widely. Kawneer does not control the selection of product configurations, operating hardware, or glazing materials, and assumes no responsibility therefor.

Kawneer reserves the right to change configuration without prior notice when deemed necessary for product improvement.  
© Kawneer Company, Inc., 2013

Architects - The extrusions illustrated in this catalog are standard products for Kawneer. These concepts have been expanded and modified to afford you design freedom. Please contact your Kawneer representative for further assistance.

**PICTORIAL VIEW (Installed Position) .....4**

**PICTORIAL VIEW (Cleaning Position) .....5**

**TYPICAL INTERMEDIATE**

**4 mm Panel .....6**

**16 mm Panel .....7**

**CORNER DETAILS .....8**

**PANEL OPTIONS .....9**

**DESIGN GUIDELINES.....10**

LAWS AND BUILDING AND SAFETY CODES GOVERNING THE DESIGN AND USE OF GLAZED ENTRANCE, WINDOW, AND CURTAIN WALL PRODUCTS VARY WIDELY. KAWNEER DOES NOT CONTROL THE SELECTION OF PRODUCT CONFIGURATIONS, OPERATING HARDWARE, OR GLAZING MATERIALS, AND ASSUMES NO RESPONSIBILITY THEREFOR.

Metric (SI) conversion figures are included throughout these details for reference. Numbers in parentheses ( ) are millimeters unless otherwise noted.

The following metric (SI ) units are found in these details:

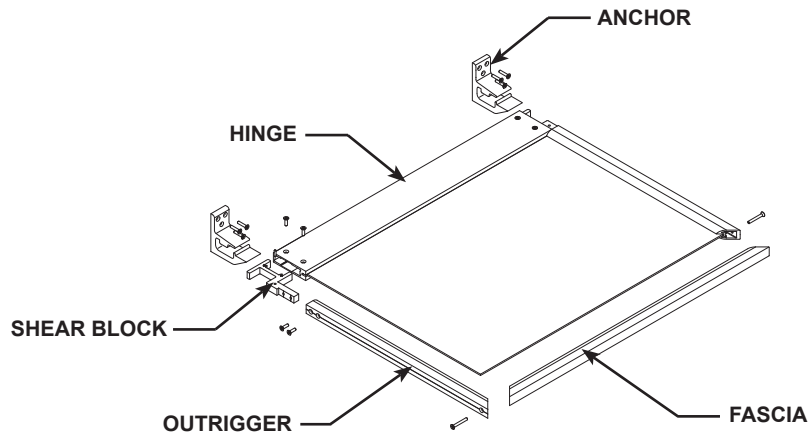
- m – meter
- cm – centimeter
- mm – millimeter
- s – second
- Pa – pascal
- MPa – megapascal

Laws and building and safety codes governing the design and use of glazed entrance, window, and curtain wall products vary widely. Kawneer does not control the selection of product configurations, operating hardware, or glazing materials, and assumes no responsibility therefor.

Kawneer reserves the right to change configuration without prior notice when deemed necessary for product improvement.  
© Kawneer Company, Inc., 2013



**LIGHT SHELF SHOWN IN INSTALLED POSITION**



**EXPLODED VIEW OF LIGHT SHELF**

Shown with 4 mm Aluminum Composite Material (ACM)

**COMPATIBLE SYSTEMS:**

- Curtain wall system mounting mullion with face width of 2" (51 mm) or greater and wall thickness greater than 0.080" (2 mm).
- Center or Front Set Storefront system with single piece tubular mounting mullion, with face width of 2" (51 mm) or greater and mounting mullion wall thickness greater than 0.080" (2 mm).

**MAXIMUM PROJECTION** = 30" (762 mm) from face of mounting mullion.

**MAXIMUM SPAN** = 72" (1,828 mm) centerline to centerline of mounting mullions.

Laws and building and safety codes governing the design and use of glazed entrance, window, and curtain wall products vary widely. Kawneer does not control the selection of product configurations, operating hardware, or glazing materials, and assumes no responsibility therefor.

Kawneer reserves the right to change configuration without prior notice when deemed necessary for product improvement.

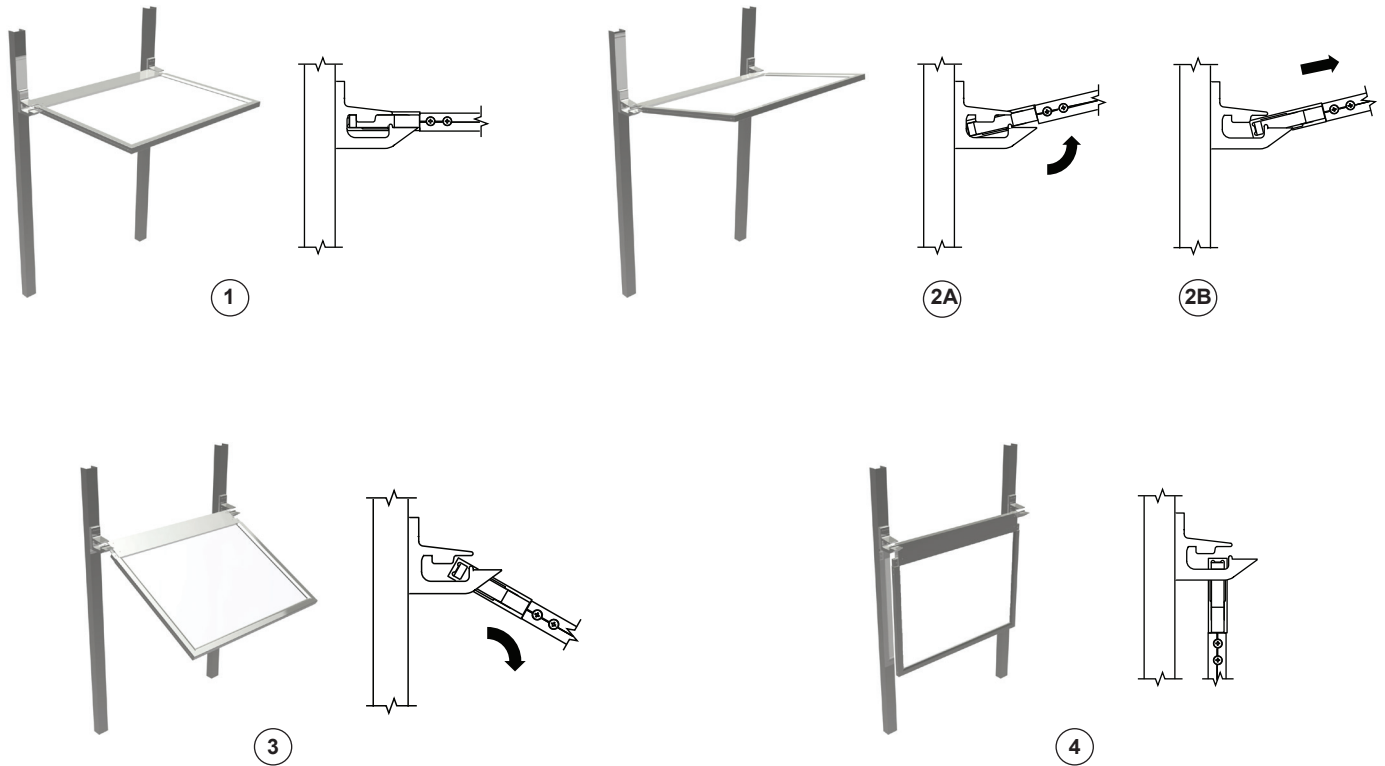
© Kawneer Company, Inc., 2013

Laws and building and safety codes governing the design and use of glazed entrance, window, and curtain wall products vary widely. Kawneer does not control the selection of product configurations, operating hardware, or glazing materials, and assumes no responsibility therefor.



**LIGHT SHELF SHOWN IN CLEANING POSITION**

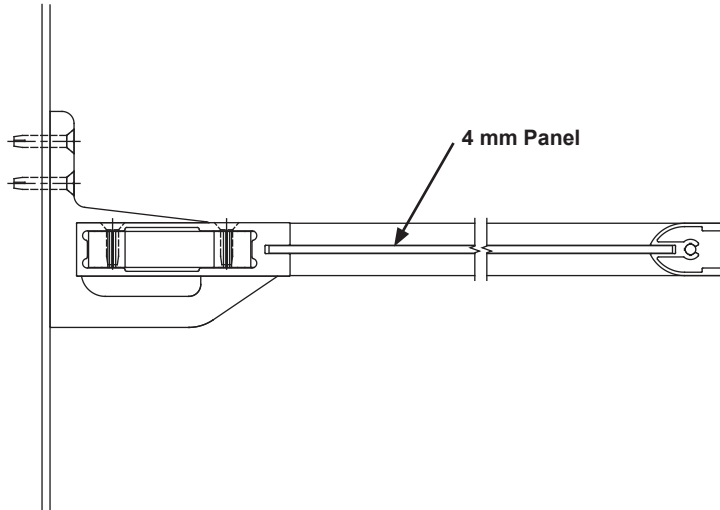
**SEQUENCE OF STEPS FOR TILTING THE LIGHT SHELF**



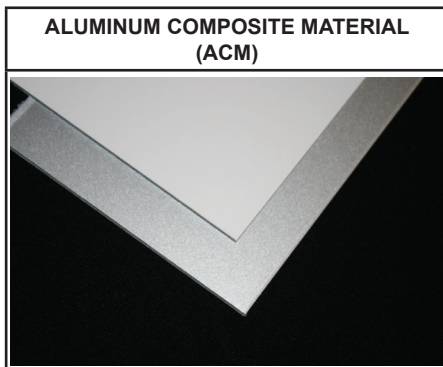
Kawneer reserves the right to change configuration without prior notice when deemed necessary for product improvement.  
© Kawneer Company, Inc., 2013



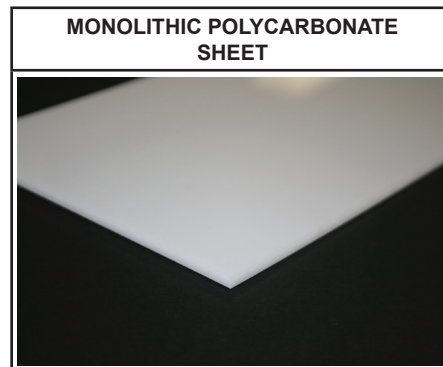
**LIGHT SHELF WITH 4 mm PANEL SHOWN IN INSTALLED POSITION**



**(4 mm) ALUMINUM COMPOSITE MATERIAL (ACM) and POLYCARBONATE PANEL CHOICES**



**Shown with Bone White and Bright Silver Metallic finishes**



**Shown with ICE Monolithic Polycarbonate Sheet**

Laws and building and safety codes governing the design and use of glazed entrance, window, and curtain wall products vary widely. Kawneer does not control the selection of product configurations, operating hardware, or glazing materials, and assumes no responsibility therefor.

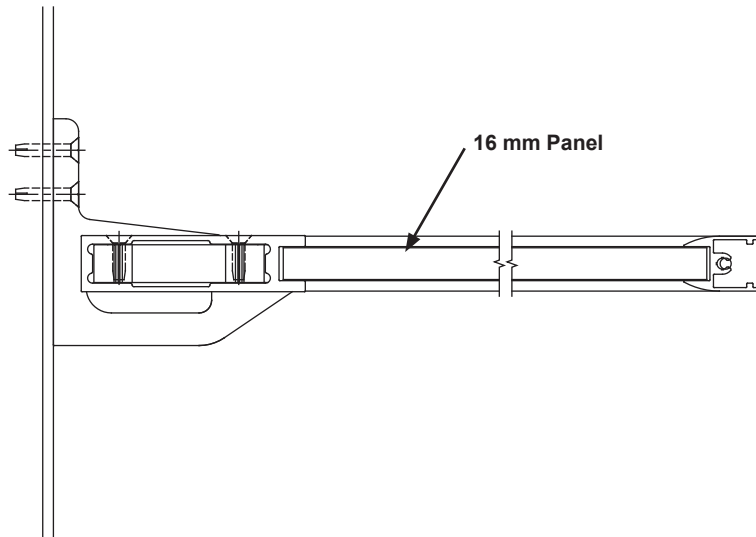
Kawneer reserves the right to change configuration without prior notice when deemed necessary for product improvement.  
© Kawneer Company, Inc., 2013

Laws and building and safety codes governing the design and use of glazed entrance, window, and curtain wall products vary widely. Kawneer does not control the selection of product configurations, operating hardware, or glazing materials, and assumes no responsibility therefor.

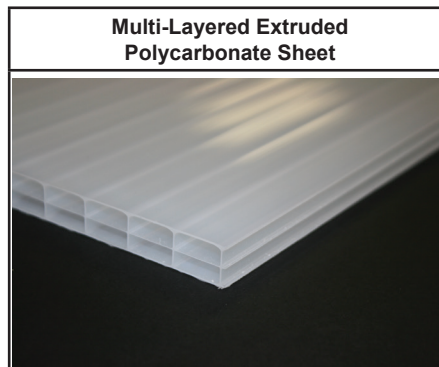
Kawneer reserves the right to change configuration without prior notice when deemed necessary for product improvement.  
© Kawneer Company, Inc., 2013

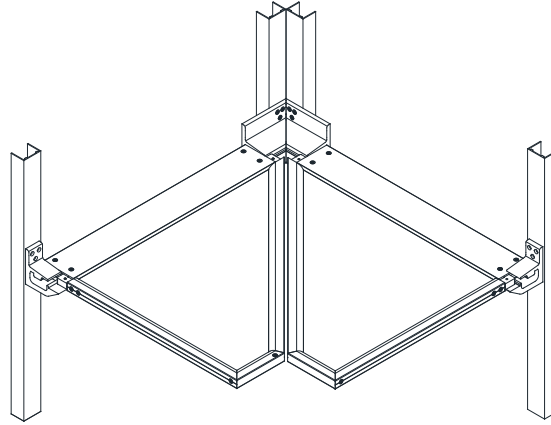


**LIGHT SHELF WITH 16 mm PANEL SHOWN IN INSTALLED POSITION**

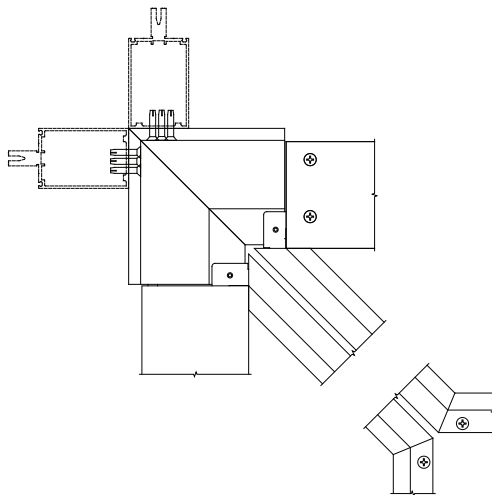
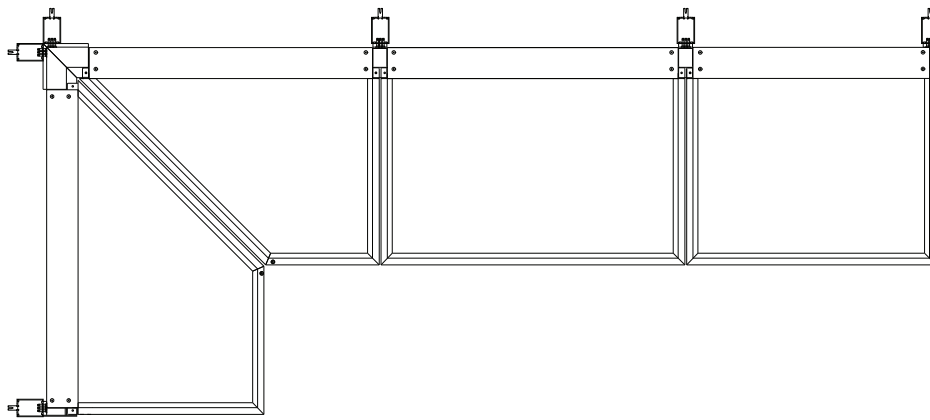


**(16 mm) POLYCARBONATE PANEL CHOICE**

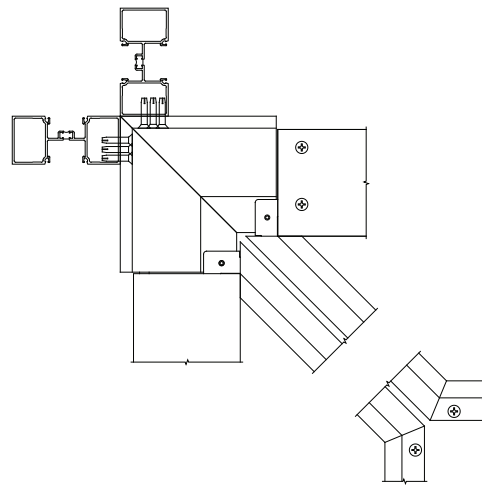




**TYPICAL INSIDE CORNER ASSEMBLY**



**Curtain Wall Corner Detail  
1600 Wall System™1 Shown**



**Storefront Corner Detail  
Trifab™ VG 451T Shown**


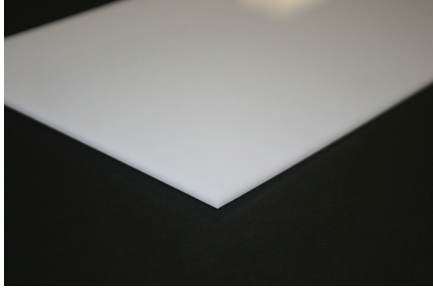
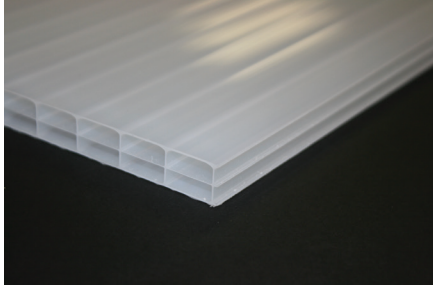
Laws and building and safety codes governing the design and use of glazed entrance, window, and curtain wall products vary widely. Kawneer does not control the selection of product configurations, operating hardware, or glazing materials, and assumes no responsibility therefor.

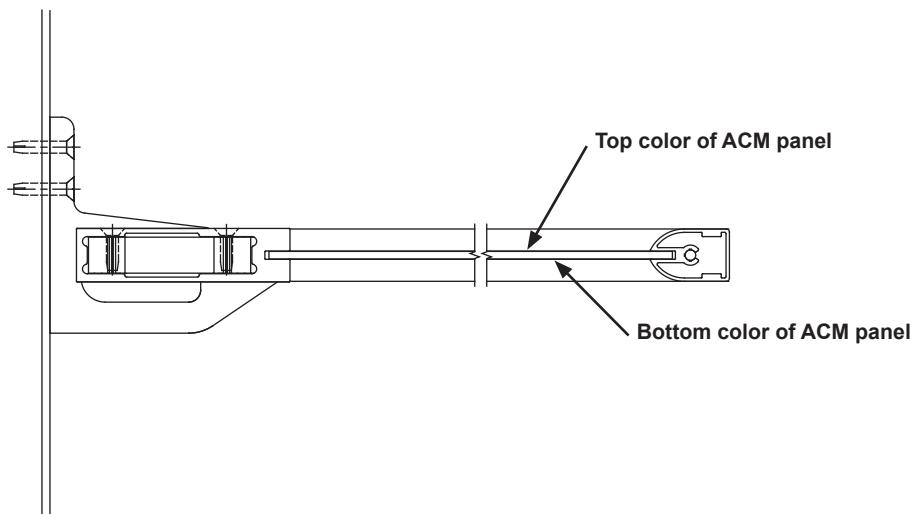
Kawneer reserves the right to change configuration without prior notice when deemed necessary for product improvement.

© Kawneer Company, Inc., 2013



**PANEL OPTIONS**

TYPE	PROFILE	COLOR
<p><b>4 mm ACM Panel</b></p>		<p><b>Top:</b> Specify per job. (Bone White offers the highest reflectivity)</p> <p><b>Bottom:</b> Specify per job.</p>
<p><b>4 mm Monolithic Polycarbonate Sheet</b></p>		<p><b>ICE</b> (White Translucent)</p>
<p><b>16 mm Multi-Layer Extruded Polycarbonate Sheet</b></p>		<p><b>ICE</b> (White Translucent)</p>



Laws and building and safety codes governing the design and use of glazed entrance, window, and curtain wall products vary widely. Kawneer does not control the selection of product configurations, operating hardware, or glazing materials, and assumes no responsibility therefor.

Kawneer reserves the right to change configuration without prior notice when deemed necessary for product improvement.  
© Kawneer Company, Inc., 2013

**DESIGN GUIDELINES**

- Aluminum composite panels will be painted as specified. It is suggested that a white finish be used for the top surface of the Light Shelf to maximize the reflection of daylight into the building space.
- Automated lighting controls in conjunction with Light Shelves provide the best energy savings.
- Overhead lighting fixtures need to be positioned appropriately with respect to the Light Shelves to get the maximum benefit.
- Ceiling color impacts the performance of the Light Shelf as well since it is the final surface which reflects the daylight.
- Daylighting simulation tools can help decide the optimum position of the Light Shelf on the vertical mullion based on building layout, climatic conditions, latitude, interior plan and other factors.
- InLighten™ Light Shelves should be mounted at a height above the floor so that it does not interfere with passers-by.
- Consult with local building and fire codes for applications with Light Shelves and fire sprinkler systems.

**CAUTION:**

InLighten™ Light Shelf is designed as a Sun Control device and is not intended to be used for storage. Do not place objects on Light Shelf or use as a step. Follow instructions to tilt the Light Shelf for care and cleaning.

Laws and building and safety codes governing the design and use of glazed entrance, window, and curtain wall products vary widely. Kawneer does not control the selection of product configurations, operating hardware, or glazing materials, and assumes no responsibility therefor.

Kawneer reserves the right to change configuration without prior notice when deemed necessary for product improvement.  
© Kawneer Company, Inc., 2013