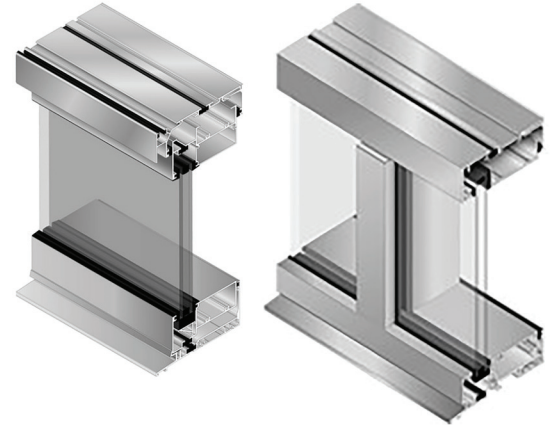


MetroView® FG 501T Window Wall and FG 601T PG Window Wall

Kawneer’s commitment to social and environmental responsibility is rooted in high performing, sustainable solutions that extend beyond energy efficiency to elements like daylighting, acoustical efficiency, recyclability, occupant security and occupant comfort.

Our extrusions use a minimum of 40% recycled content achieved through a combination of pre- and post-consumer recycled content. We also have Environmental Product Declarations (EPDs) that when coupled with this Material Transparency Summary (MTS) gives a full sustainable product overview. Sustainability information on this product as well as our entire portfolio can be found on the [Sustainability page at www.kawneer.com](http://www.kawneer.com)



Material Inventory

The material inventory below discloses the known ingredients within this product at a concentration level of 100 PPM (0.01%) and higher, the Chemical Abstract Services Registration Number (CAS#), role and percent by weight within the product. This inventory list meets the guidelines for **LEED v4 MR Credit: Building Disclosure and Optimization – Material Ingredients – Option 1** and **LBC Materials Petal I10-2 Supporting Data and has no LBC Red List materials**.* This product is manufactured at one of our five North American locations: Bloomsburg, PA; Cranberry, PA; Lethbridge, Canada; Springdale, AR and Visalia, CA.

Role	Complex Material	Raw Material	CAS#	Percent by Weight	
Frame	Anodized Aluminum	Aluminum	7429-90-5	90-98	
Thermal & Weathering	Polyurethane mixture	Polyurethane resin	9009-54-5	5-7	
		Carbon black	1333-86-4	<0.03	
		Triethylene diamine	280-57-9	<0.02	
		Sodium potassium aluminosilicate	12736-96-8	<0.02	
		EPDM Compound	Ethylene Propylene Diene Terpolymer	25038-36-2	<2.0
		Carbon Black	1333-86-4	<1.0	
		Kaolin	1332-58-7	<0.5	
		Dicumyl Peroxide	80-43-3	<0.3	
		Zinc Oxide	1314-13-2	<0.3	
		Calcium Oxide	1305-78-8	<0.3	
		Calcium Carbonate	471-34-1	<0.3	
		Polyethylene	9002-88-4	<0.3	
		ABS Compound	Acrylonitrile Butadiene Styrene	9003-56-9	<1.0
		Carbon Black	1333-86-4	<0.02	
		Santoprene/PP Compound	Ethylene Propylene Diene Terpolymer	25038-36-2	<0.5
Polypropylene	9003-07-0	<0.5			
White Oil	8042-47-5	<0.1			
Silicone	Methylvinylpolysiloxane Silicone Gum Mixture	68083-18-1	<0.02		
Fasteners	Stainless Steel	Stainless Steel	12597-68-1	<1.0	

* For standard anodized configurations using alternative parts 987272 thermal separator and 127178 silicone sheet; may not comply with all configurations, finishes or custom products.